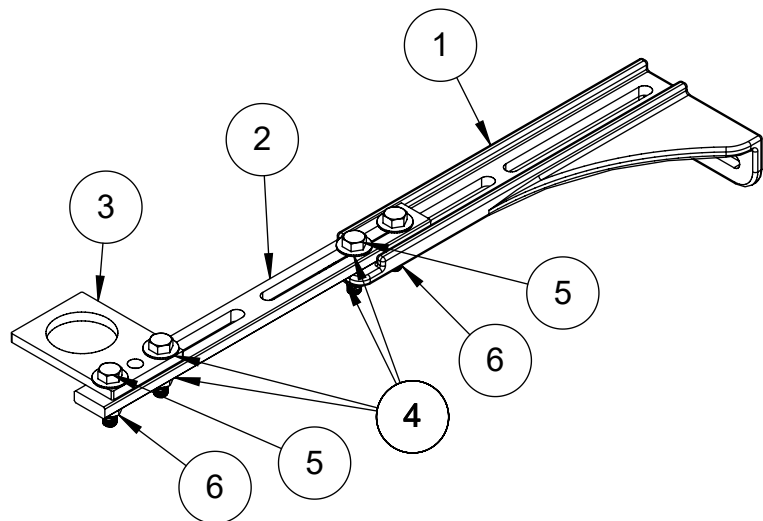
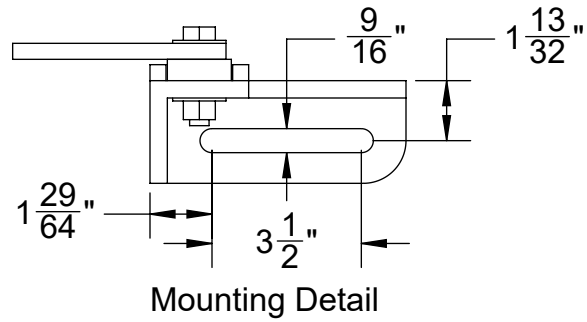
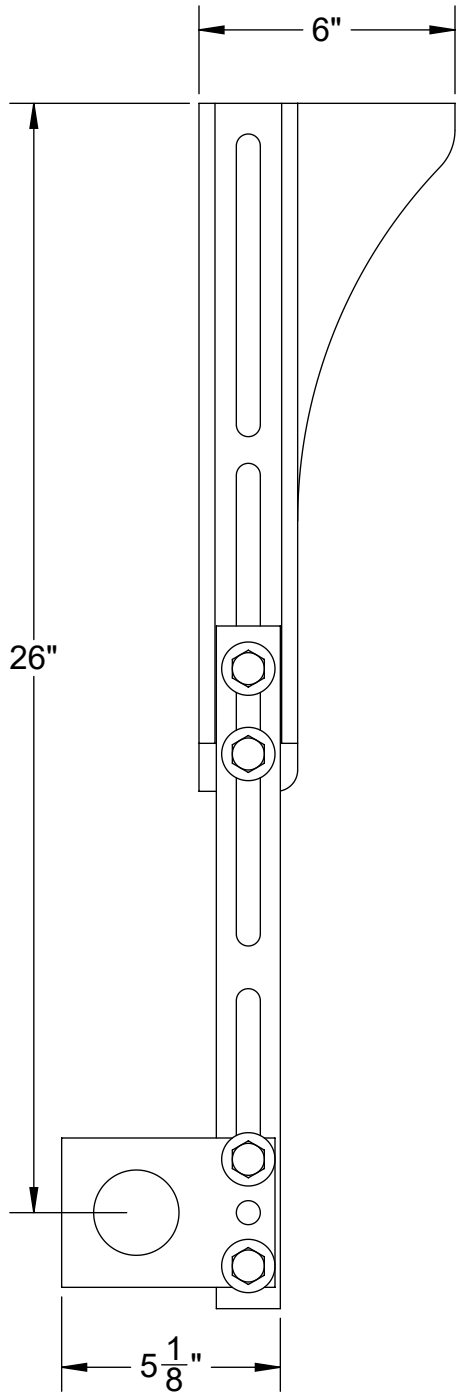


Item	Description	QTY.	MAT'L
1	Wall Bracket	1	316SS
2	Rail	1	316SS
3	Bushing	1	Al-Brnz
4	1/2 Flat Washer	8	316SS
5	1/2-13 HHCS	4	316SS
6	1/2-13 Elastic Locknut	4	316SS



Notes:

- Bushing drilled per customer specification at time of order
- Max Bore is 2 3/8" stem OD
- Minimum reach is 2"

DOMESTIC



www.TroyValve.com

PHONE: 1-570-297-2125

347# DO NOT SCALE DRAWING

TITLE:

Lightweight Stem Guide - Long

MAT'L:

316SS

DATE:

10/21/2021

PART NO:

USA25680SS-L LW AB

DWN.

TE

PAGE: