

**LID**

WATER     SEWER     BY OTHERS

**2" SQUARE OP NUT**

CI     316SS

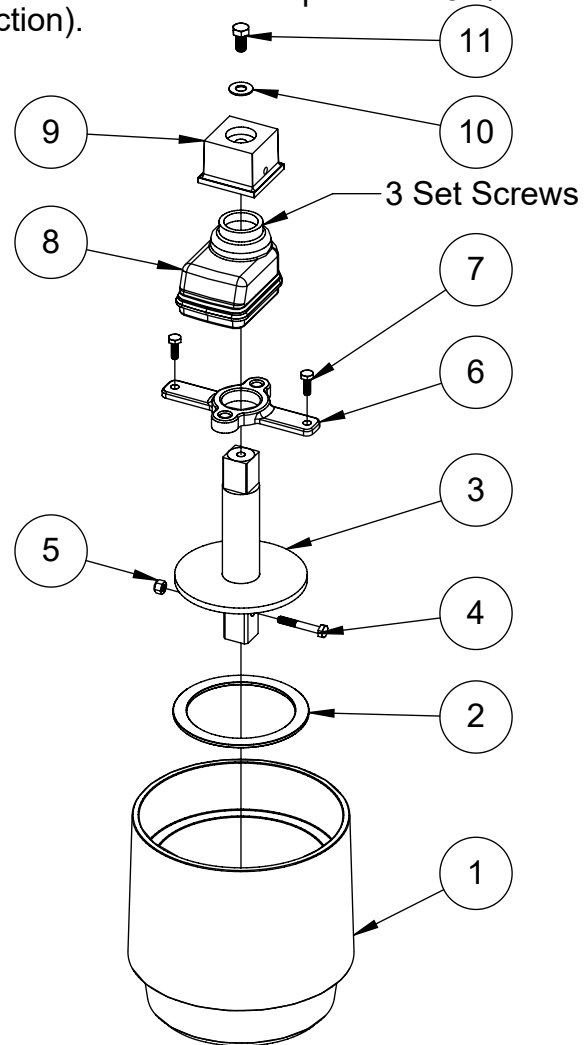
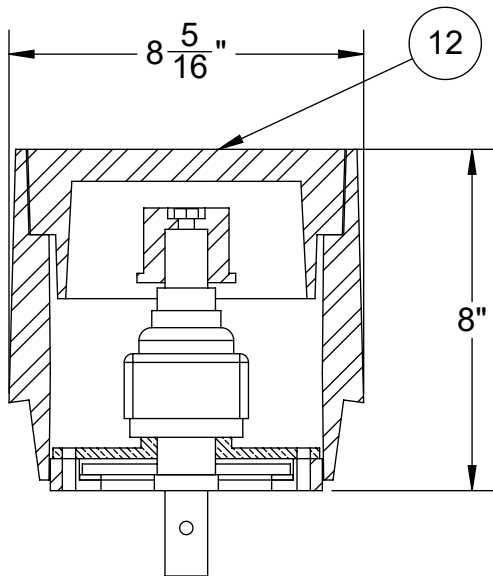
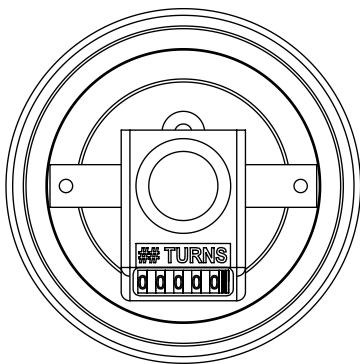
**INDICATOR**

\_\_\_\_\_ TURNS TO OPEN

Item	Description	QTY.	MAT'L
1	Floor/Valve Box	1	CI/Stl
2	Thrust Bearing	1	Al Brnz
3	Stem/Support Shaft Assembly	1	SS
4	1/4" HHCS	1	SS
5	1/4" Locknut	1	SS
6	Bushing	1	Al Brnz
7	1/4" HHCS	2	SS
8	Indicator	1	Plastic/SS
9	2" Square Op-Nut	1	CI/SS
10	3/8" Flat Washer	1	SS
11	3/8" HHCS	1	SS
12	5 1/4" Valve Box Lid	1	CI

**Notes:**

- For floor slab, Floorbox can be extended using 7" PVC Duct Pipe and 7" PVC Coupling (Sleeved). Use silicone adhesive to attach PVC coupling to floor box
- Floorbox can be used as an adapter for a 5 1/4" valve box (top section).



**For use with telescopic extension stems only.  
See Part Number: ATPI\_FBSTASSY/SS**



www.TroyValve.com

PHONE: 1-570-297-2125

29F- DO NOT SCALE DRAWING

TITLE:

**Telescopic Position Indicator Floor Box**

MAT'L: As Noted

DATE: 2/17/2022

PART NO:

**ATPI\_OP9FB**

DWN.

TE

PAGE: