

1 **GROUND POSITION INDICATOR WITH FLOORBOX FOR TELESCOPIC EXT. STEM**

TURNS TO OPEN \_\_\_\_\_

2 **304SS TELESCOPIC EXTENSION STEM**

3-4.5 FT. ADJ.

4-6 FT. ADJ.

6-8 FT. ADJ.

8-10 FT. ADJ.

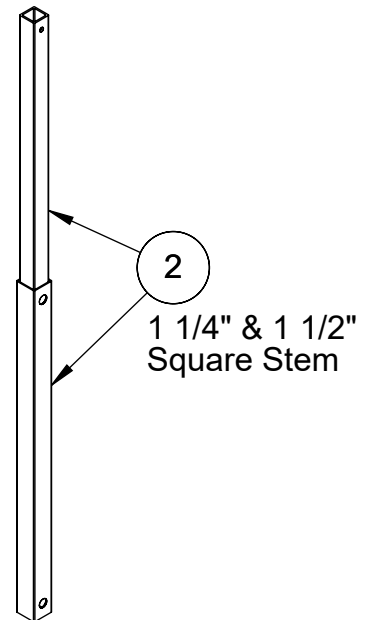
3 316SS SLOTTED SOCKET COUPLING  
(Welded to lower telescopic extension stem)

4 **MUD VALVE - NRS A25600**

CAST IRON

316 STAINLESS STEEL

SIZE \_\_\_\_\_



TYP. OF \_\_\_\_\_ UNITS