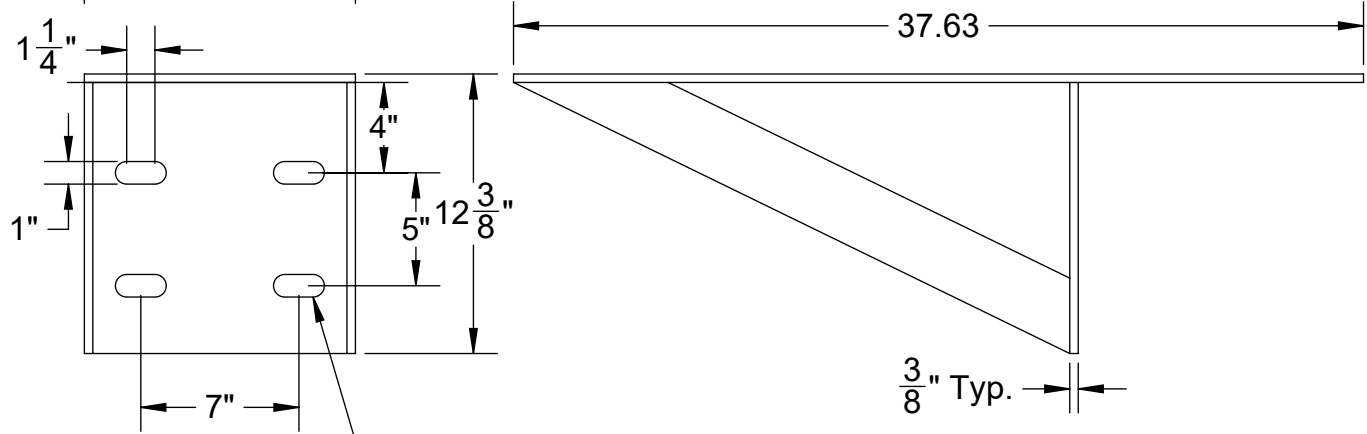


Notes:

- 4" - 20 1/2" adjustment from face of wall to c/l of stem
- To achieve the 4" minimum distance the stem must be less than 1 1/4" OD



These holes do not need to be used

304SS

316SS



www.TroyValve.com

PHONE: 1-570-297-2125

292- DO NOT SCALE DRAWING

TITLE:

Floorstand Wall Mounting Bracket - Long

MAT'L: See Above

DATE: 5/7/2021

PART NO:

A25675L_Custom

DWN.

TE

PAGE: