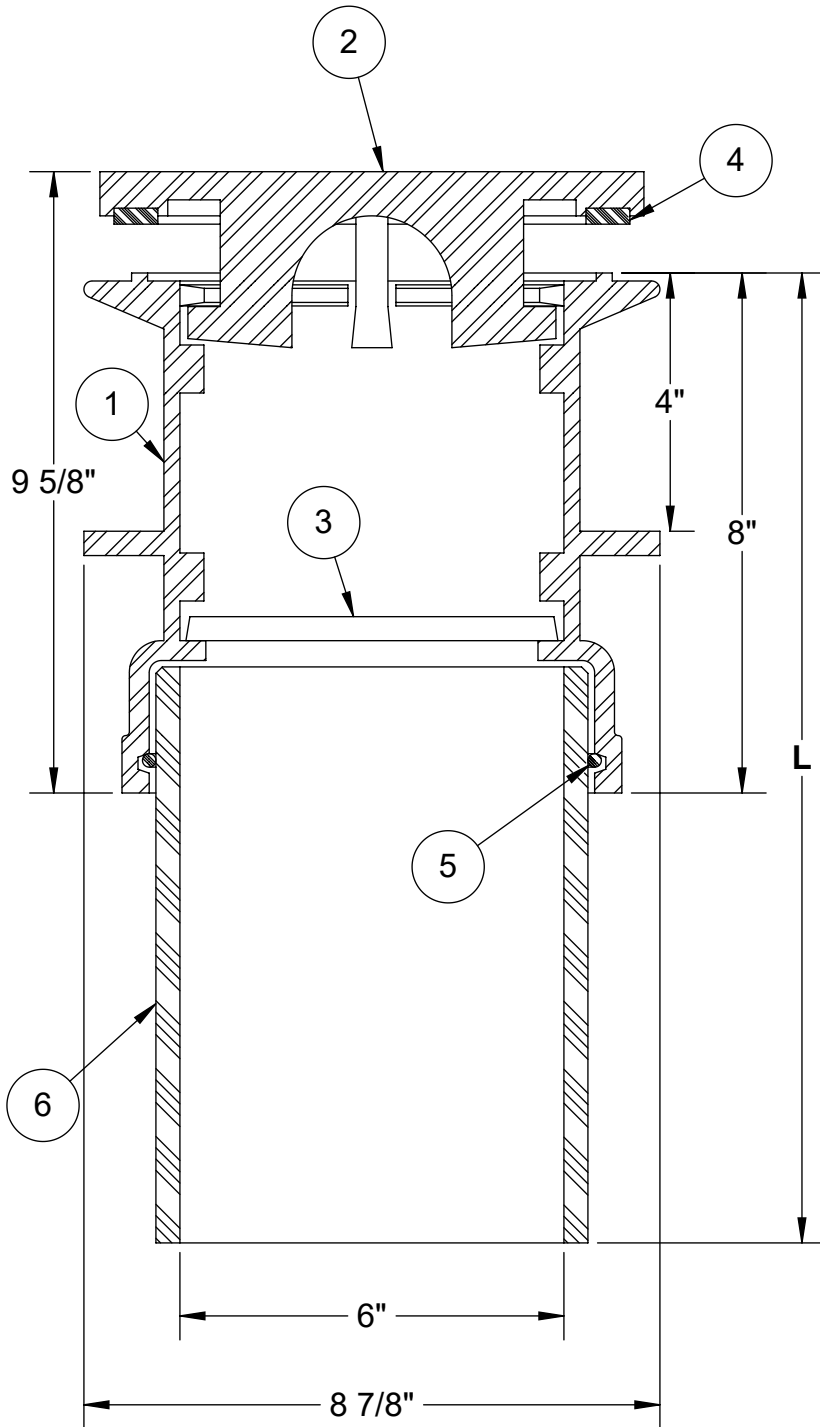


| ITEM | DESCRIPTION | QTY. | MAT'L |
|------|-------------|------|----------|
| 1 | Body | 1 | 316SS |
| 2 | Cover | 1 | 316SS |
| 3 | Grate | 1 | 316SS |
| 4 | Cover Ring | 1 | BUNA-N |
| 5 | O-Ring | 1 | BUNA-N |
| 6* | Extension | 1 | PVC C900 |

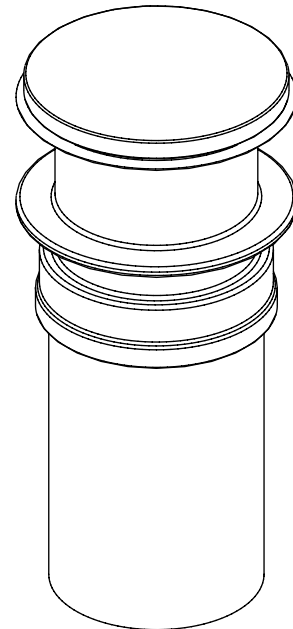


Notes:

- Stainless Steel to Resilient Seat
- * Valves extended as needed with C900 PVC to any required length
- Begins to open at ~ 9" of unseating head differential
- Cover lifts 3/4" in position
- Cover with rubber is 7/8" thick

L = _____

L is the OAL from seat.



Domestic



www.TroyValve.com

PHONE: 1-570-297-2125

21E- DO NOT SCALE DRAWING

TITLE:

6" Floor Relief Valve - Stainless Steel

MAT'L: 316SS

DATE: 3/2/2021

PART NO:

USA2550RSN/6 316SS

DWN.

TE

PAGE: