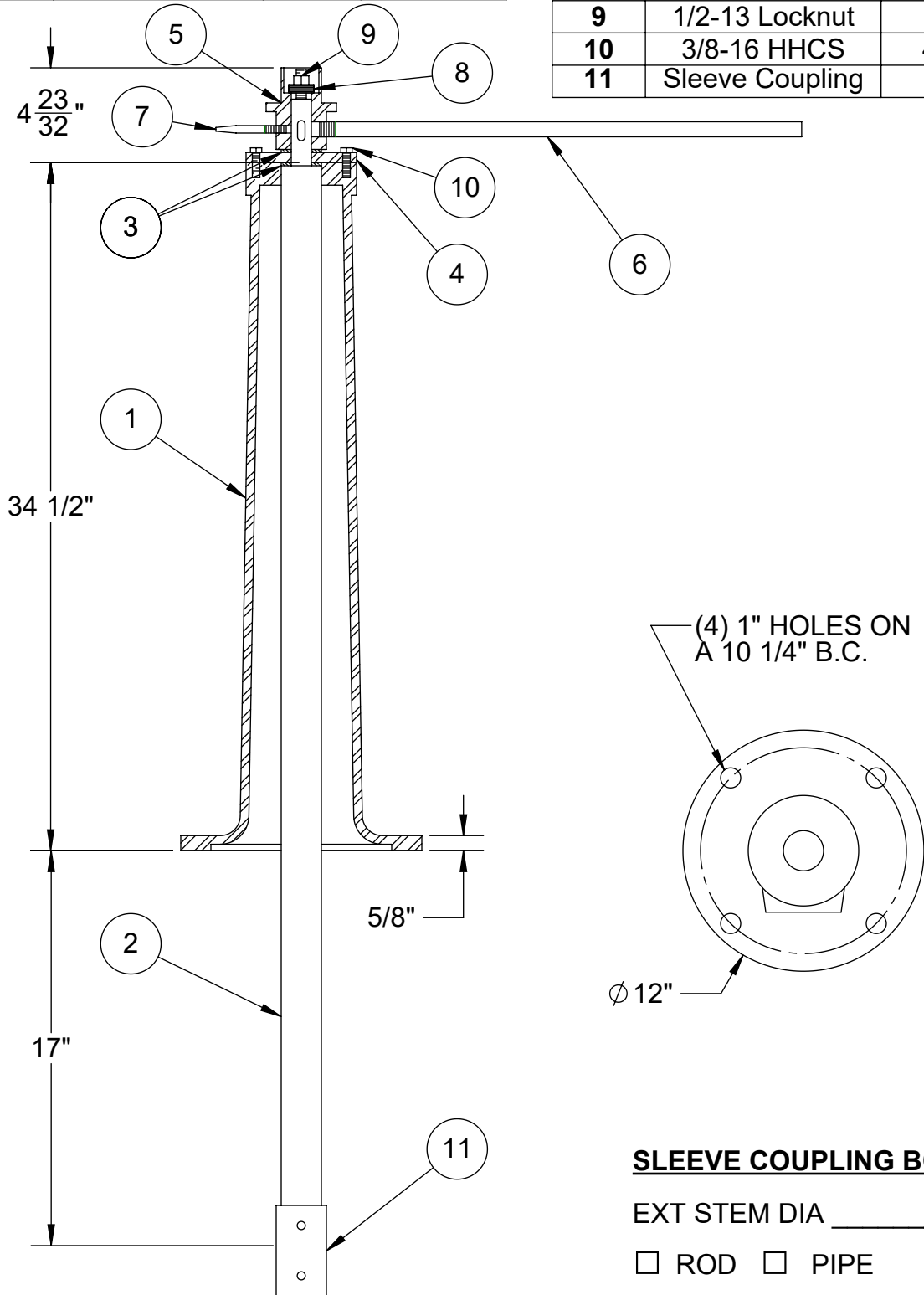


Item	Description	QTY.	MAT'L
1	Floorstand	1	DI
2	Stem	1	Steel
3	Tension Washer	2	Brass
4	Tension Plate	1	Steel

Item	Description	QTY.	MAT'L
5	Drive Nut	1	CI
6	Handle	1	Steel
7	Pointer	1	SS
8	Bellville Washers	6	SS
9	1/2-13 Locknut	1	SS
10	3/8-16 HHCS	4	SS
11	Sleeve Coupling	1	Steel



**SLEEVE COUPLING BORE**

EXT STEM DIA \_\_\_\_\_

ROD  PIPE



www.TroyValve.com

PHONE: 1-570-297-2125

1A.D. DO NOT SCALE DRAWING

TITLE:

**Quarter Turn Floorstand**

MAT'L: Varies

DATE: 8/27/2020

PART NO:

**A25655-QT**

DWN.

TE

PAGE: