

ITEM	DESCRIPTION	QTY.	MAT'L
1	Floorstand Body	1	DI
2	Sleeve Coupling	1	STEEL/SS
3	Handwheel	1	CI
4	* Op Nut	1	CI
5	Stem	1	STEEL/SS
6	Pointer	1	SS
7	Scale	1	ALUM

INTERNAL STEM

- STEEL
- 304SS 316SS

HANDWHEEL

- 13" CAST IRON
- 18" CAST IRON

* Operating Nut is welded to Handwheel

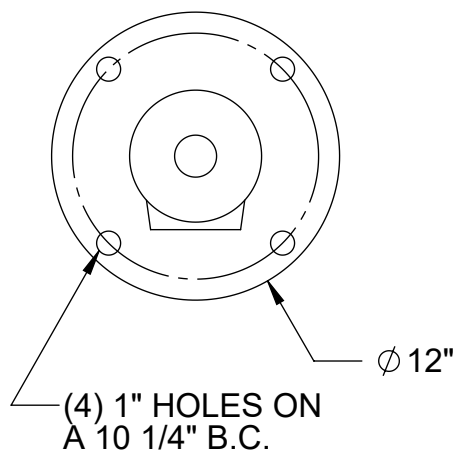
TURN COUNT FOR STEM

- 83 (7TPI)
- 144 (12TPI)
- 288 (24TPI) - SS Internal Stem Only

SLEEVE COUPLING BORE

EXT STEM DIA _____

- ROD PIPE



www.TroyValve.com

PHONE: 1-570-297-2125

1AF- DO NOT SCALE DRAWING

TITLE:

DI Indicating Floorstand w/HW&Nut Operator

MAT'L: Varies

DATE: 8/27/2020

PART NO:

A25655HWNUT

DWN.

TE

PAGE: