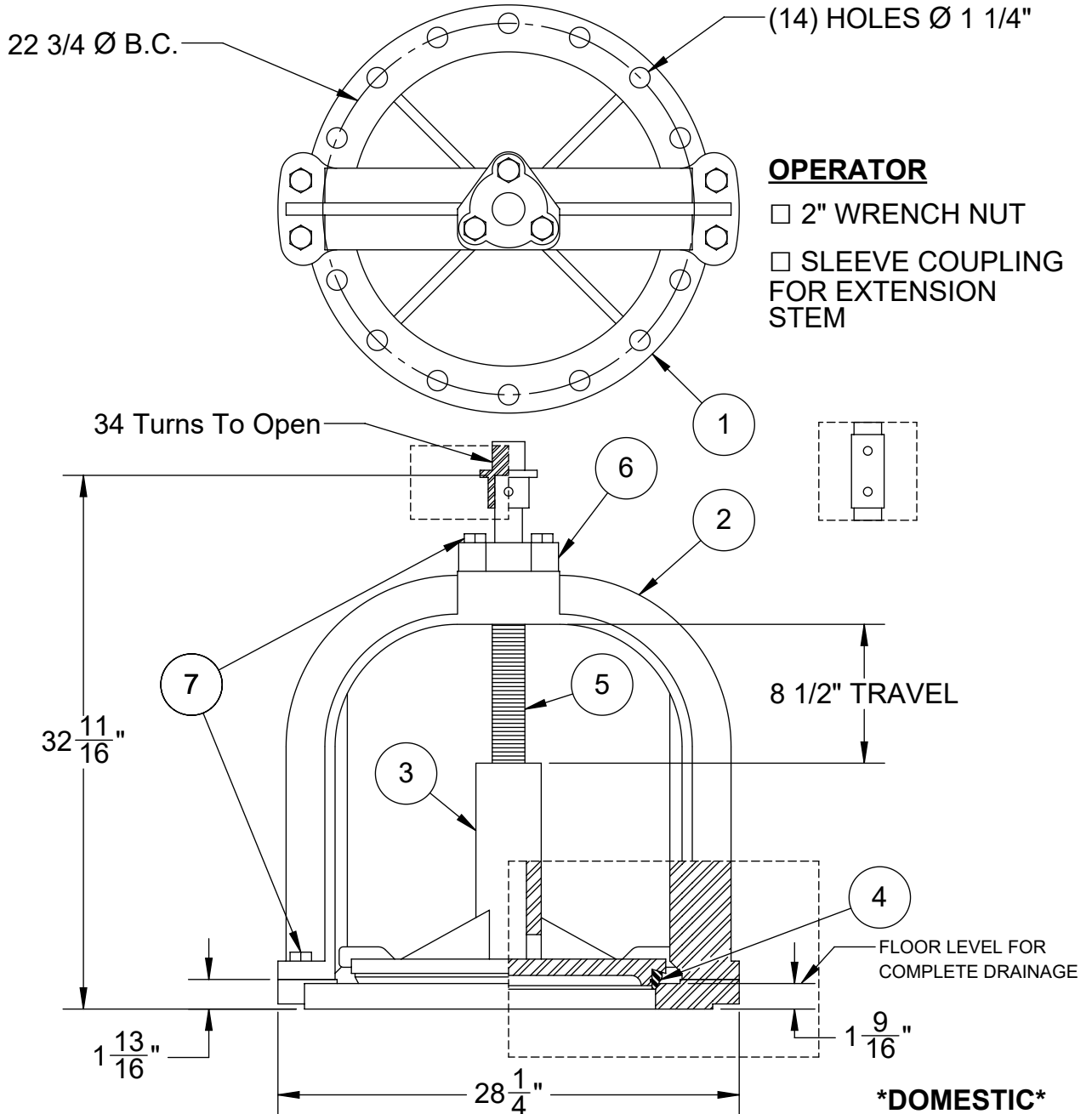


Notes:

- Bubble tight resilient to stainless steel seating
- Open Left
- NSF/ANSI/CAN 61 & 372 Certified
- Valve Flanges must be level for proper operation
- 125# ANSI flange
 - Only number of holes specified are used

Item	Description	QTY.	MAT'L
1	Frame	1	316SS
2	Yoke	1	316SS
3	Plug	1	316SS
4	Resilient Seat	1	BUNA-N
5	Stem	1	316SS
6	Stem Cap	1	316SS
7	HHCS	7	316SS



www.TroyValve.com

PHONE: 1-570-297-2125

1A2- DO NOT SCALE DRAWING

TITLE:

SS Mud Valve - Non-Rising Stem 18"

MAT'L: SS

DATE: 8/13/2020

PART NO:

USA25600RCSSA/18

DWN.

TE

PAGE: