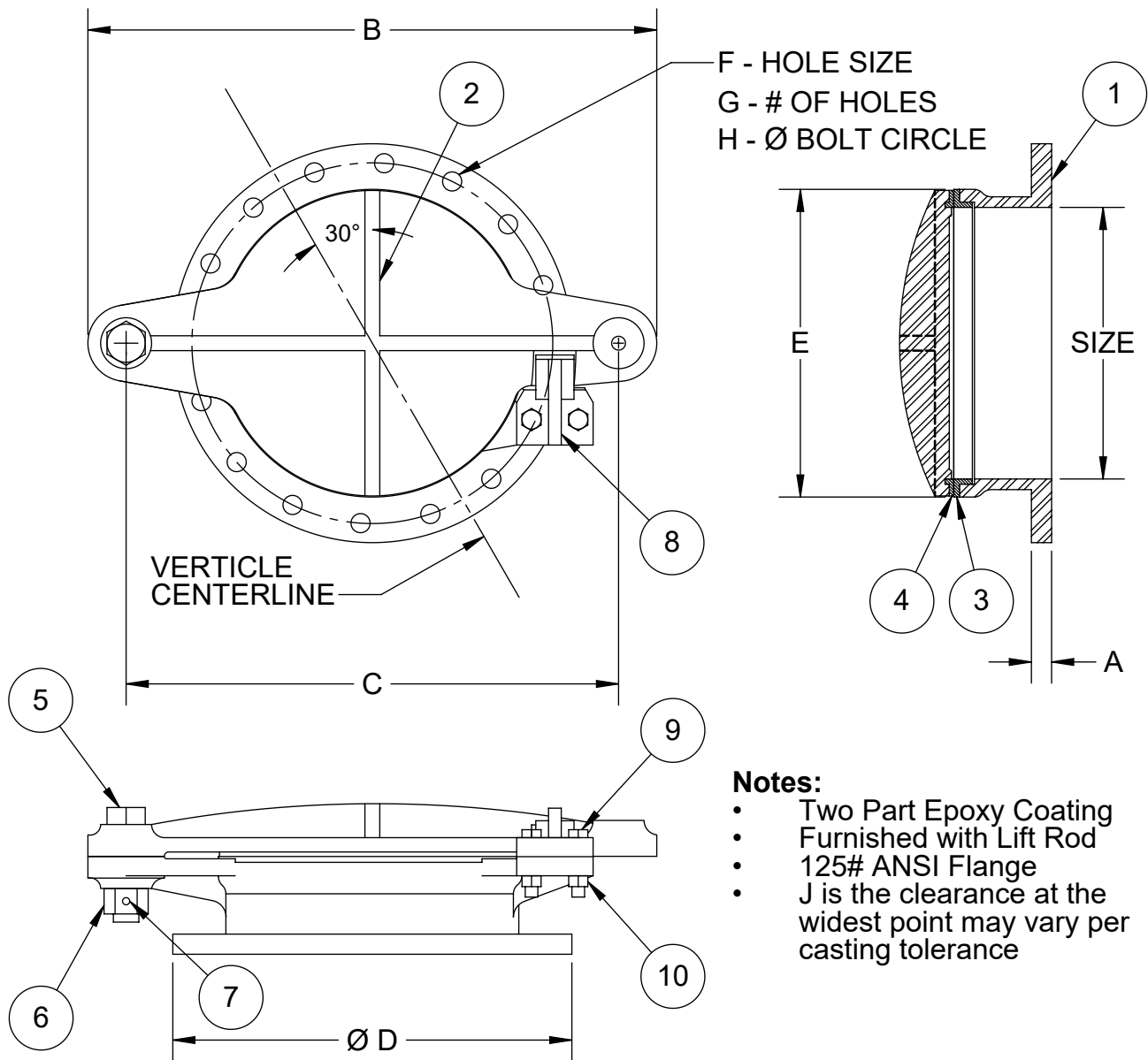


DIMENSIONS ARE IN INCHES

SIZE	14	16	18	20	24
A	1 1/8	1 3/16	1 3/8	1 3/8	1 3/8
B	31	33 1/2	36	41	47
C	27	29	31	36	42
D	21	23 1/2	25	27 1/2	32
E	16	18	20	22 1/4	26 1/4
F	1 1/8	1 1/8	1 1/4	1 1/4	1 3/8
G	12	16	16	20	20
H	18 3/4	21 1/4	22 3/4	25	29 1/2
J	7 1/2	9 1/8	9 11/16	9 3/4	10 11/16

ITEM	DESCRIPTION	QTY.	MAT'L
1	Body	1	CI
2	Disc	1	CI
3	Seat Ring	1	BRZ
4	Disc Ring	1	BRZ
5	Hinge Bolt	1	BRZ
6	Hinge Nut	1	BRZ
7	Set Screw	1	Bl Oxide
8	Wedge	1	CI
9	HHCS	2	SS
10	Hex Nut	2	SS



Notes:

- Two Part Epoxy Coating
- Furnished with Lift Rod
- 125# ANSI Flange
- J is the clearance at the widest point may vary per casting tolerance



www.TroyValve.com

PHONE: 1-570-297-2125

175- DO NOT SCALE DRAWING

TITLE:

14"-24" Shear Gate, Single Wedge

MAT'L:

CI

DATE:

6/11/2020

PART NO:

A25206

DWN.

TE

PAGE: