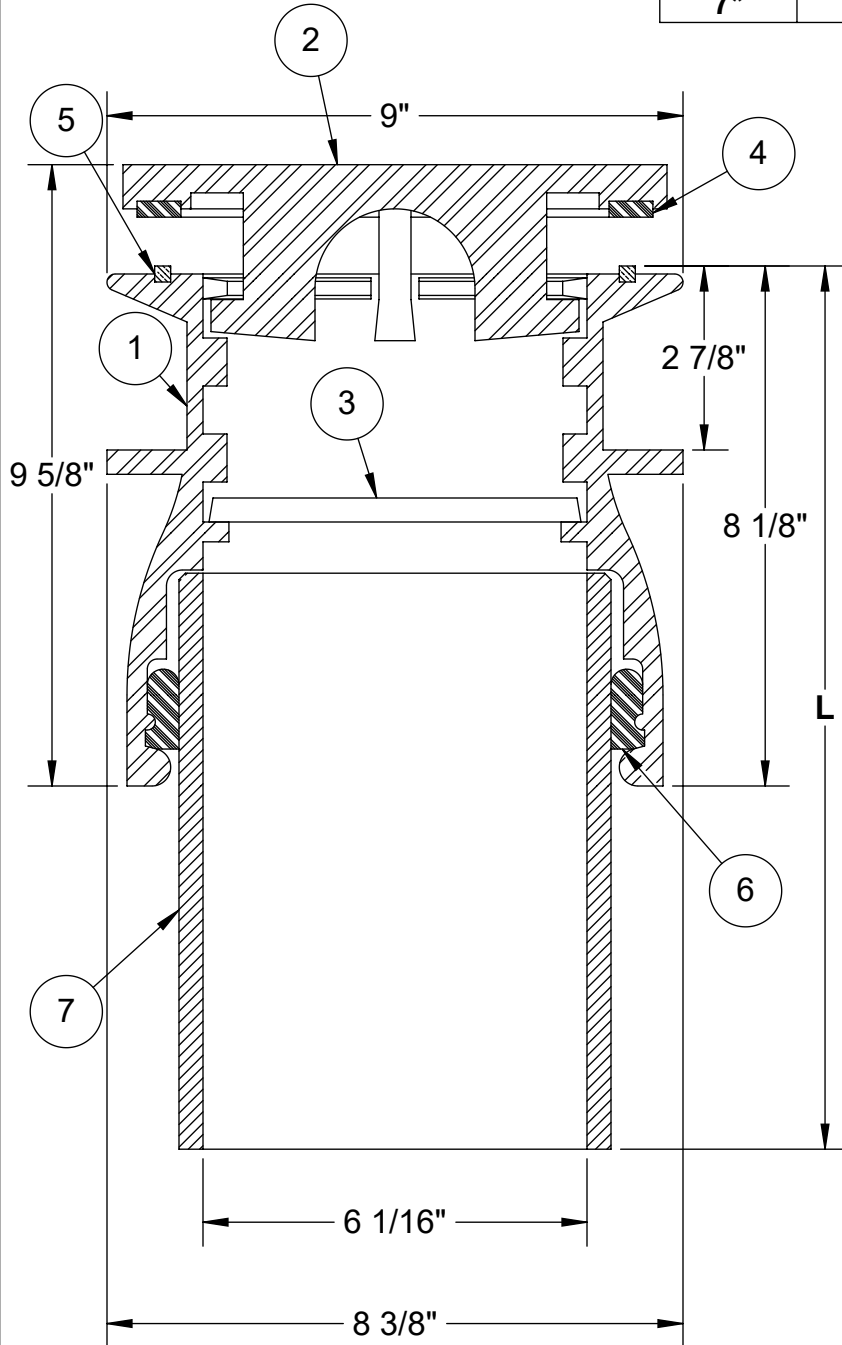


ITEM	DESCRIPTION	QTY.	MAT'L
1	Body	1	DI
2	Cover	1	DI
3	Grate	1	AL-BRZ
4	Cover Ring	1	BUNA-N
5	Seat Ring	1	AL-BRZ
6	Gasket	1	SBR
7*	Extension	1	PVC C900

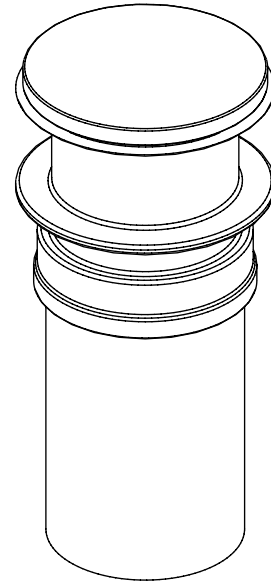


Notes:

- Aluminum Bronze to Resilient Seat
- \* Valves extended as needed with C900 PVC to any required length
- Begins to open at ~ 9" of unseating head differential
- Cover lifts 1/2" in position
- Cover with rubber is 7/8" thick
- NSF approved 2 part epoxy coating

L = \_\_\_\_\_

L is the OAL from aluminum bronze seat.



www.TroyValve.com

PHONE: 1-570-297-2125

3F4- DO NOT SCALE DRAWING

TITLE:

**6" Floor Relief Valve w/Brz Grate**

MAT'L:

DI

DATE:

4/12/2023

PART NO:

A2550RSN/6\_BG

DWN.

TE

PAGE: