

ITEM	DESCRIPTION	QTY.	MAT'L
1	Floorstand Body	1	DI
2	Sleeve Coupling	1	STEEL/SS
3	Handwheel	1	CI
4	Stem	1	STEEL/SS
5	Pointer	1	SS
6	Scale	1	ALUM
7	Bottom Locking Plate	1	STEEL
8	Top Locking Plate	1	STEEL

INTERNAL STEM

- STEEL
- 304SS 316SS

HANDWHEEL

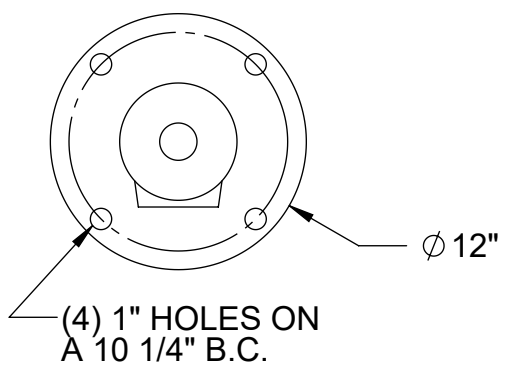
- 13" CAST IRON
- 18" CAST IRON
- OTHER _____

TURN COUNT FOR STEM

- 83 (7TPI)
- 144 (12TPI)
- 288 (24TPI) - SS Internal Stem Only

SLEEVE COUPLING BORE

- EXT STEM DIA _____
- ROD PIPE



www.TroyValve.com
 PHONE: 1-570-297-2125
 260- DO NOT SCALE DRAWING

TITLE: **Indicating NRS Locking Floorstand**
 MAT'L: Varies PART NO: **A25655_LOCK**
 DATE: 3/24/2021

DWN. TE
 PAGE: