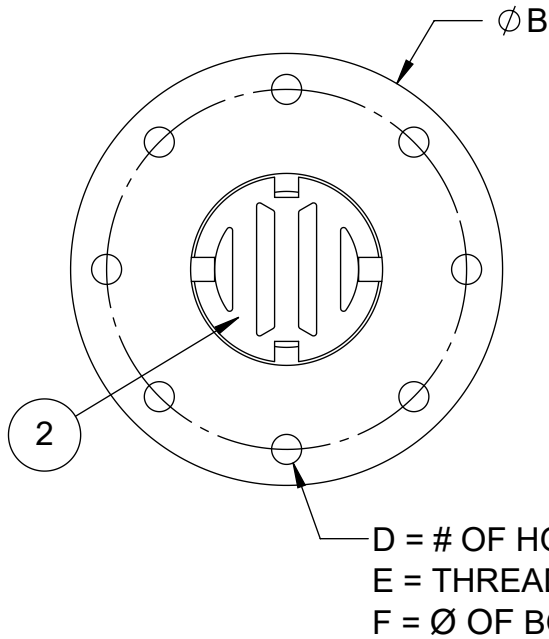
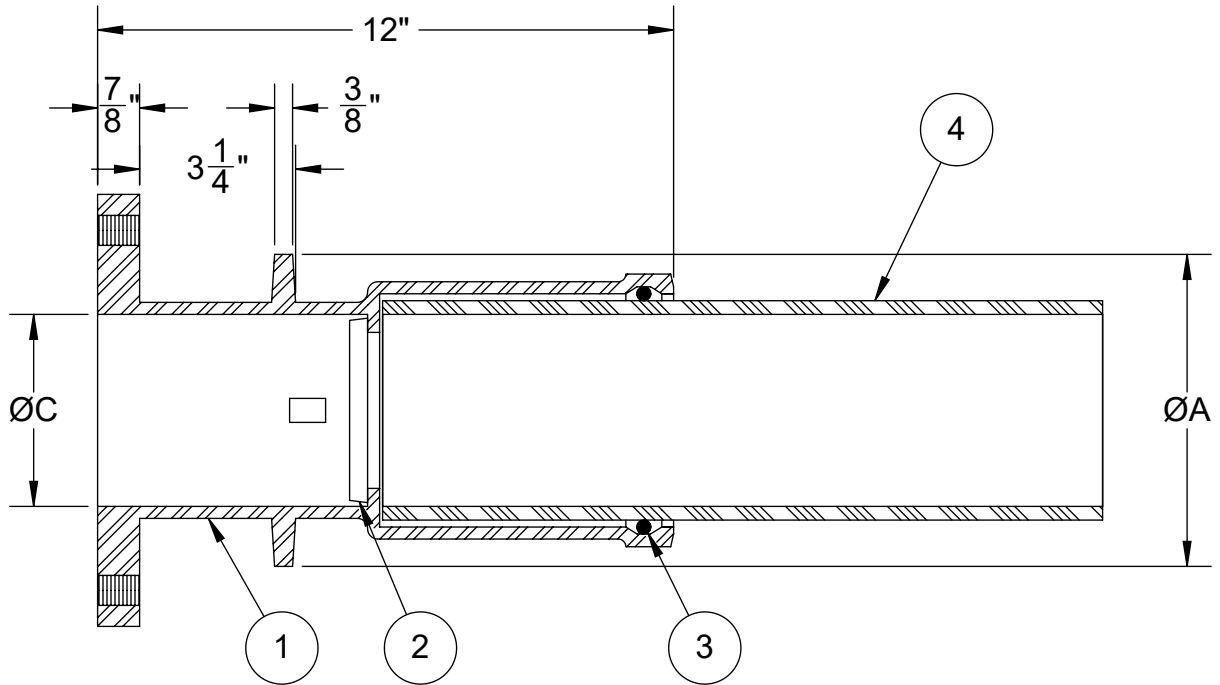


DIMENSIONS ARE IN INCHES		
SIZE	4	6
A	6.5	8.5
B	9	11
C	4	6
D	8	8
E	5/8 - 11	3/4 - 10
F	7 1/2	9 1/2

ITEM	DESCRIPTION	QTY.	MAT'L
1	Wall Thimble	1	CI A126B
2	Grate	1	CI A126B
3	O-Ring	1	BUNA-N
4 *	Extension	1	PVC C900



Notes:

- * Valves extended as needed with C900 PVC pipe to any required length
- 125# ANSI flange

SIZE

- 4" - M191001/ADJ
- 6" - M192001/ADJ

WALL THICKNESS



www.TroyValve.com

PHONE: 1-570-297-2125

154- DO NOT SCALE DRAWING

TITLE:

Wall Thimble W/Grate

MAT'L: CI

PART NO:

DATE: 5/29/2020

M19#001/ADJ

DWN.

TE

PAGE: