

LID

WATER SEWER BY OTHERS

2" SQUARE OP NUT

CI 316SS

PI INTERNAL STEM

304SS 316SS

STEM CONNECTION

2" SQUARE SOCKET CI 316SS

OR

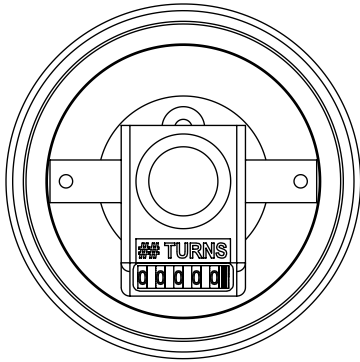
SLEEVE COUPLING STEEL 304SS 316SS

Item	Description	QTY.	MAT'L
1	Floor/Valve Box	1	CI/Stl
2	Stem	1	SS
3	Bushing	1	Al Brnz
4	1/4" HHCS	2	SS
5	Indicator	1	Plastic/SS
6	2" Square OP Nut	1	CI/SS
7	3/8" Flat Washer	1	SS
8	3/8" HHCS	1	SS
9	5 1/4" Valve Box Lid	1	CI

INDICATOR

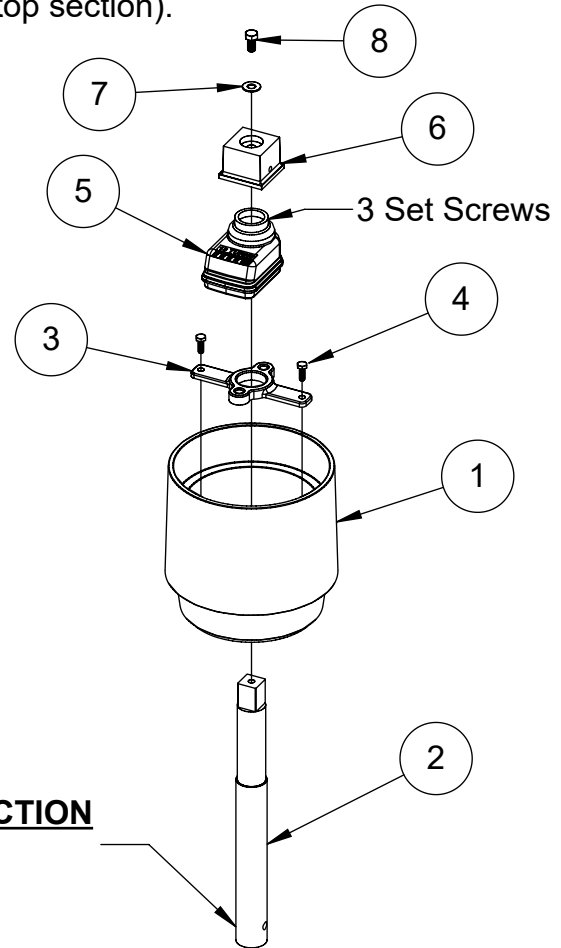
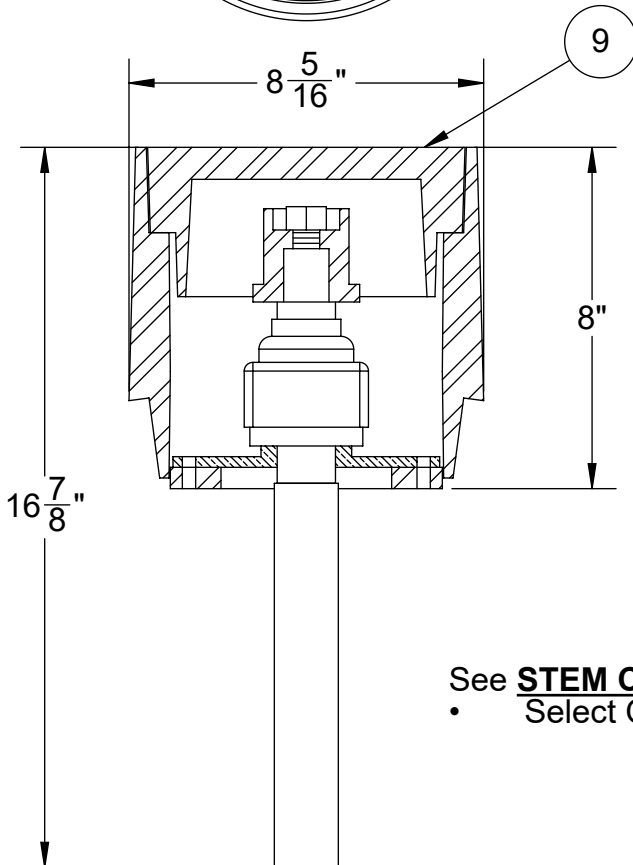
_____ TURNS TO OPEN

_____ OD OF MATING EXT STEM



Notes:

- For floor slab, Floorbox can be extended using 7" PVC Duct Pipe and 7" PVC Coupling (Sleeved). Use silicone adhesive to attach PVC coupling to floor box
- Floorbox can be used as an adapter for a 5 1/4" valve box (top section).



See **STEM CONNECTION**

- Select One



www.TroyValve.com

PHONE: 1-570-297-2125

187- DO NOT SCALE DRAWING

TITLE:

Position Indicator Floor Box

MAT'L: As Noted

DATE: 2/17/2022

PART NO:

API_OP9FB

DWN.

TE

PAGE: