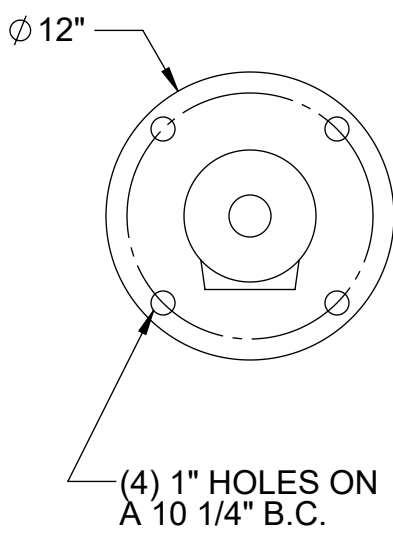
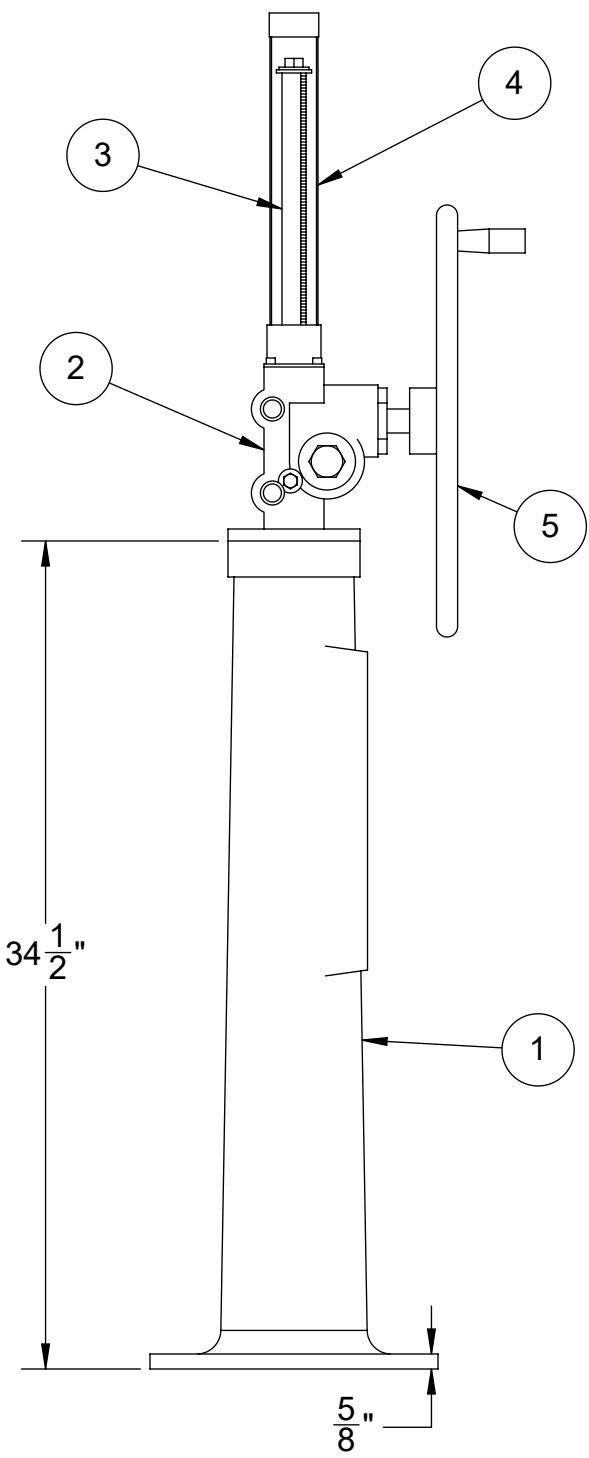


ITEM	DESCRIPTION	QTY.	MAT'L
1	Floorstand Body	1	DI/SS
2	Gearbox	1	DI
3	Rack	1	STEEL/SS
4	Rack Cover	1	Polycarbonate
5	Handwheel	1	CI/SS



RACK

- STEEL
- 304SS
- 316SS

HANDWHEEL

- 18" CAST IRON
- 13" CAST IRON
- OTHER _____

FLOORSTAND BODY

- DUCTILE IRON
- 304SS
- 316SS



www.TroyValve.com
 PHONE: 1-570-297-2125
233- DO NOT SCALE DRAWING

TITLE: **Rack and Pinion Floorstand**
 MAT'L: Varies
 DATE: 3/10/2021
 PART NO: ABG LIFT

DWN. TE
 PAGE: