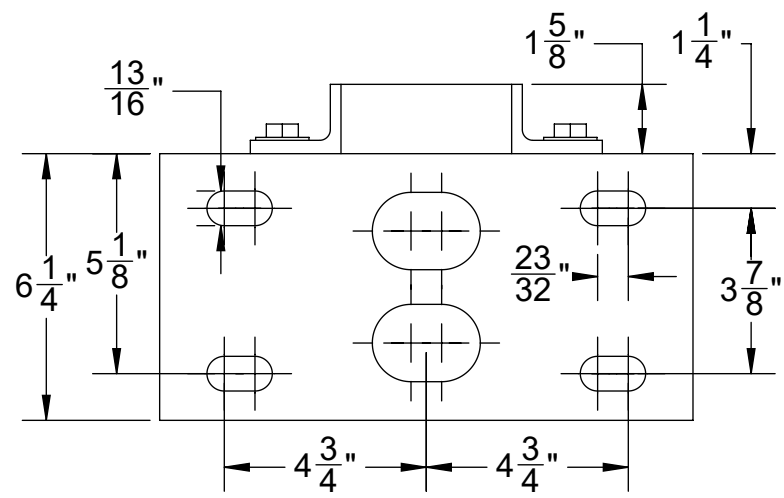


Item	Description	QTY.	MAT'L
1	Wall Bracket	1	DI
2	Stem Guide	1	DI
3	Flat Washer	8	18-8SS
4	1/2-13 HHCS	4	18-8SS
5	1/2-13 Elastic LockNut	4	18-8SS
6	Bushing	1	BRASS CDA360

- Notes:**
- NSF Approved 2 part epoxy coating
 - Bushing size is per customer order
 - Max Bore is 2 3/4" stem OD
 - A reach of 19 5/16" can be achieved by removing 2 bolts
 - Minimum reach is 2 1/2" if Stem Guide is placed backwards
 - At the minimum reach of 2 1/2" the stem must be < 2" OD, otherwise the minimum reach is 3 1/8"



Mounting Detail

