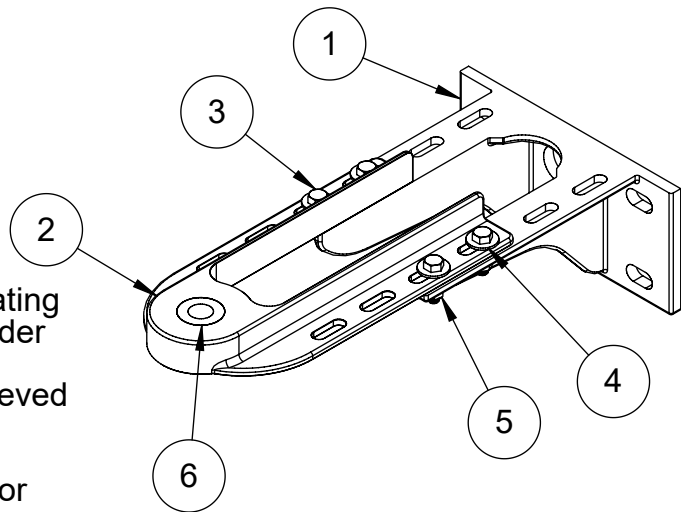
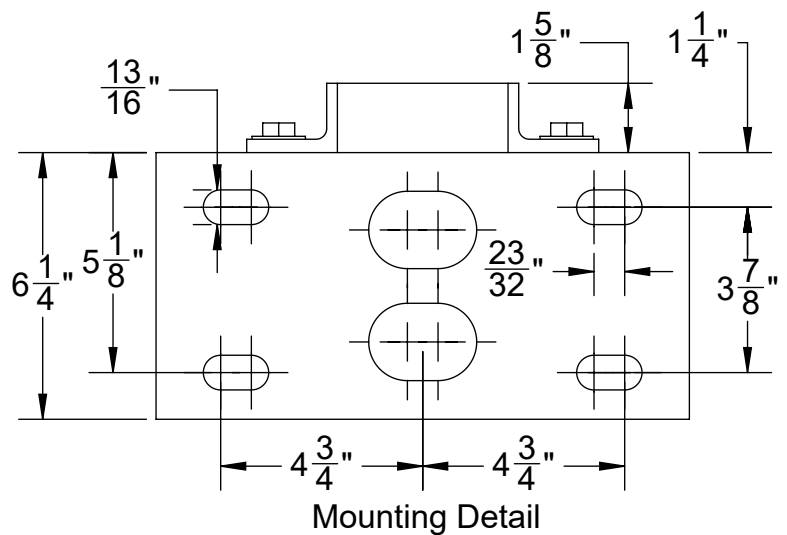


Item	Description	QTY.	MAT'L
1	Wall Bracket	1	DI
2	Stem Guide	1	DI
3	Flat Washer	8	18-8SS
4	1/2-13 HHCS	4	18-8SS
5	1/2-13 Elastic LockNut	4	18-8SS
6	Bushing	1	BRASS CDA360



Notes:

- NSF Approved 2 part epoxy coating
- Bushing size is per customer order
- Max Bore is 2 3/4" stem OD
- A reach of 25 1/16" can be achieved by removing 2 bolts
- Minimum reach is 15 1/2"
- Remove and flip guide section for reach less than 15 1/2"
- DI is A536 65-45-15



www.TroyValve.com

PHONE: 1-570-297-2125

177- DO NOT SCALE DRAWING

TITLE:

Stem Guide - Long

MAT'L: DI

PART NO:

DATE: 6/18/2020

A25680L

DWN.

TE

PAGE: