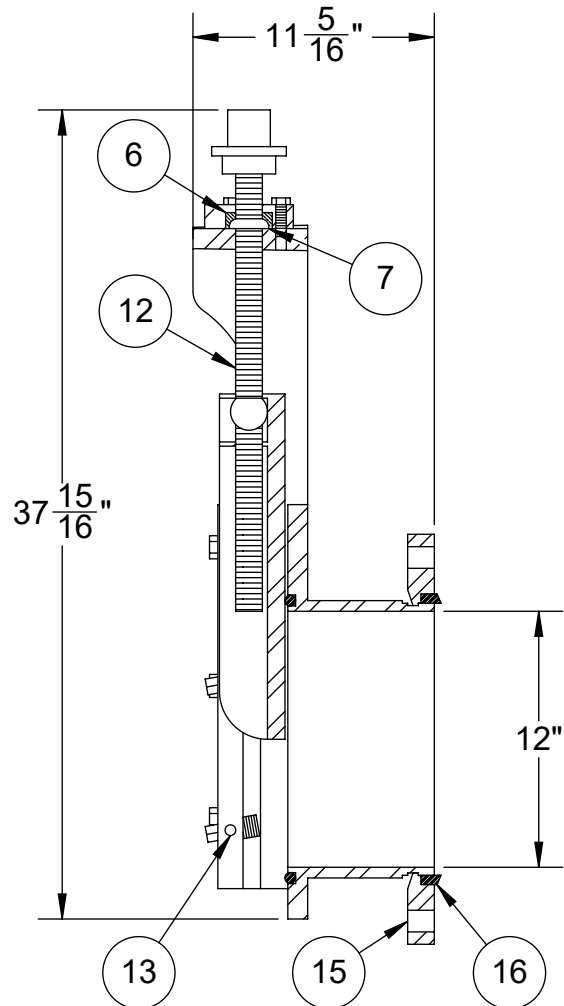
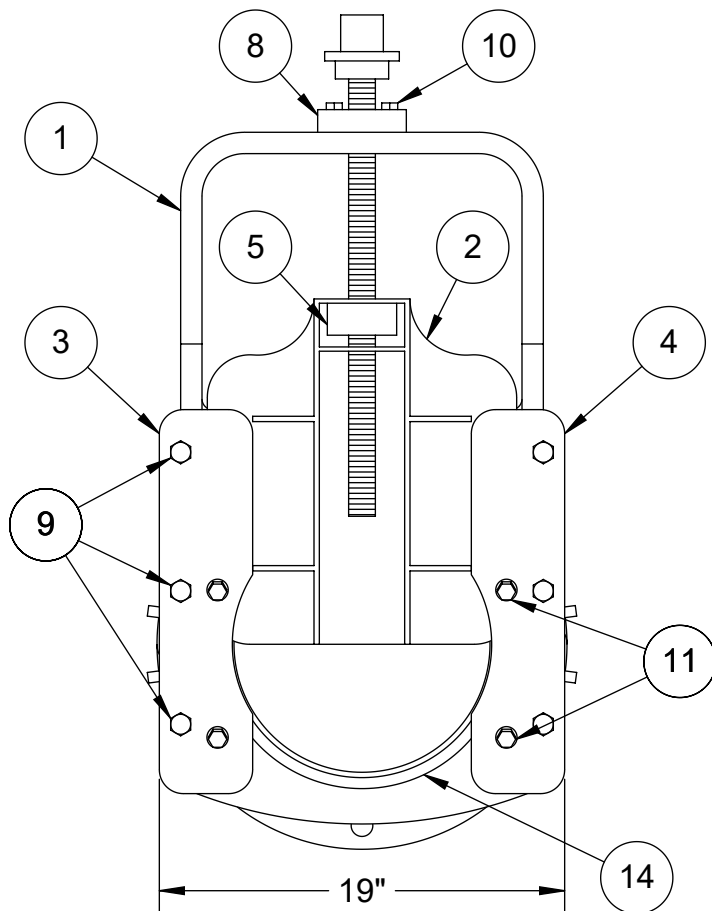


Item	Description	QTY.	MAT'L
1	Body	1	DI
2	Disc	1	DI
3	Guide Rail (Left)	1	Steel
4	Guide Rail (Right)	1	Steel
5	Stem Nut	1	Brass
6	Female Stem Collar	1	Brass
7	Male Stem Collar	1	SS
8	Stem Cap	1	DI
9	5/8"-11 HHCS	6	SS
10	1/2"-13 HHCS	3	SS
11	Disc Roller Stops	4	Monel
12	Stem	1	SS
13	Set Screw Brass Tip	4	Steel
14	O-Ring	1	BUNA-N
15	Shur Joint Flange	1	DI
16	Flange Gasket	1	BUNA-N

Notes:

- 125# ANSI flange
- NSF-61 Approved 2 part epoxy
- 65 turns to open fully
- Face of flange to centerline of stem is 8 3/4"
- DI is A536 65-45-12



www.TroyValve.com

PHONE: 1-570-297-2125

1B2- DO NOT SCALE DRAWING

TITLE:

12" Sluice Gate NRS

MAT'L:

DATE:

8/28/2020

PART NO:

A3500/12NS

DWN.

TE

PAGE: