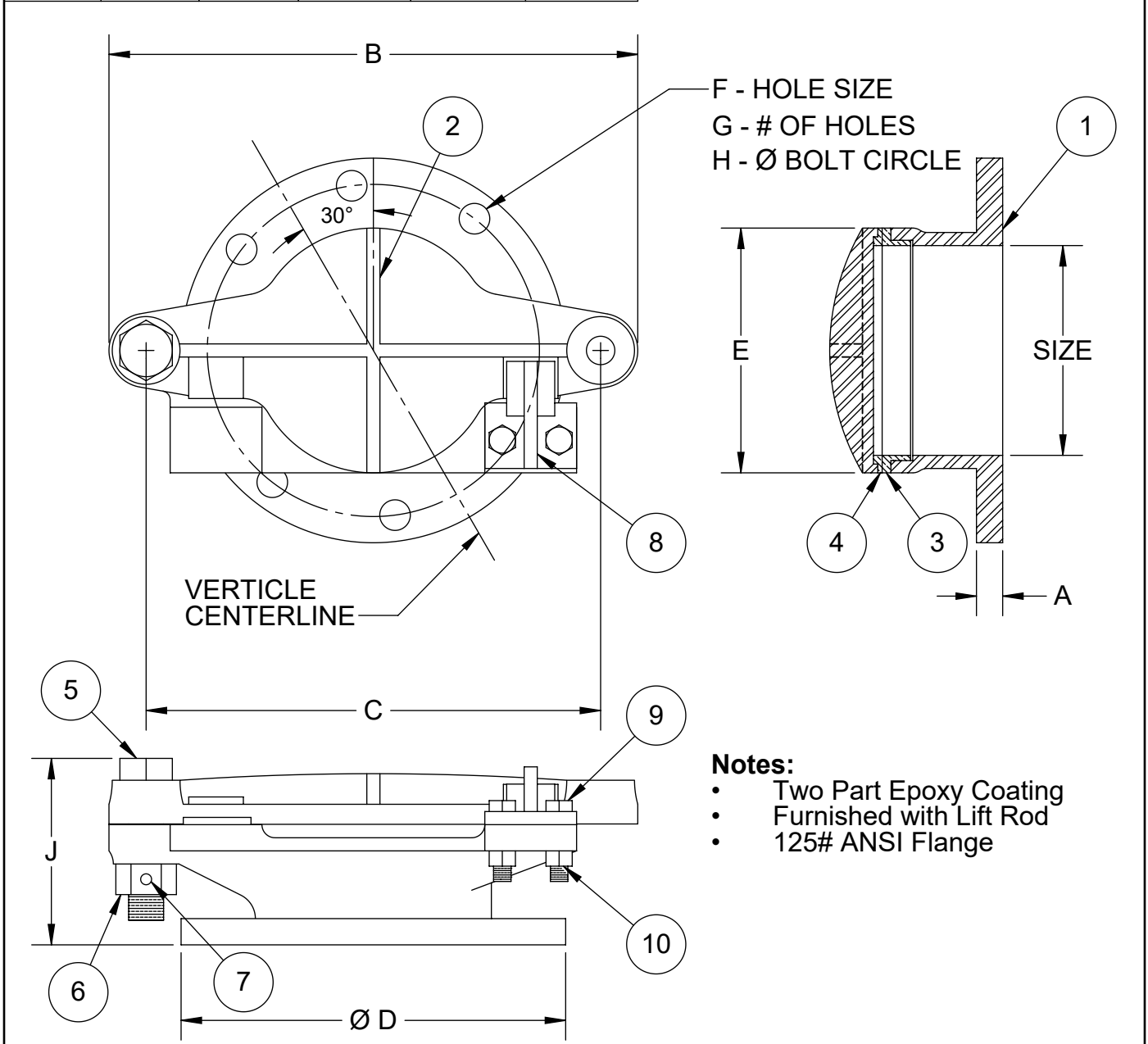


DIMENSIONS ARE IN INCHES					
SIZE	4	6	8	10	12
A	5/8	3/4	3/4	13/16	7/8
B	12 3/8	15 1/8	18 3/8	21 3/8	24 3/4
C	10 1/2	13	16	18 3/4	22
D	9	11	13 1/2	16	19
E	5	7	9 1/4	11 1/2	13 1/2
F	3/4	7/8	7/8	1	1
G	8	8	8	12	12
H	7 1/2	9 1/2	11 3/4	14 1/4	17
J	5 1/8	5 3/8	5 15/16	6 7/16	7

ITEM	DESCRIPTION	QTY.	MAT'L
1	Body	1	CI-A126
2	Disc	1	CI-A126
3	Seat Ring	1	BRZ
4	Disc Ring	1	BRZ
5	Hinge Bolt	1	BRZ
6	Hinge Nut	1	BRZ
7	Set Screw	1	BI Oxide
8	Wedge	1	CI-A126
9	HHCS	2	SS
10	Hex Nut	2	SS



<b>TROY VALVE</b> <small>A DIVISION OF PEHN-TROY MANUFACTURING INC.</small> <b>MANUFACTURING TRUST.</b>	<a href="http://www.TroyValve.com">www.TroyValve.com</a>	<b>TITLE:</b> <b>4"-12" Shear Gate, Single Wedge</b>		DWN. TE
	PHONE: 1-570-297-2125	<b>MAT'L:</b> CI	<b>PART NO:</b>	PAGE:
	<small>164- DO NOT SCALE DRAWING</small>	<b>DATE:</b> 6/4/2020	<b>A25206</b>	