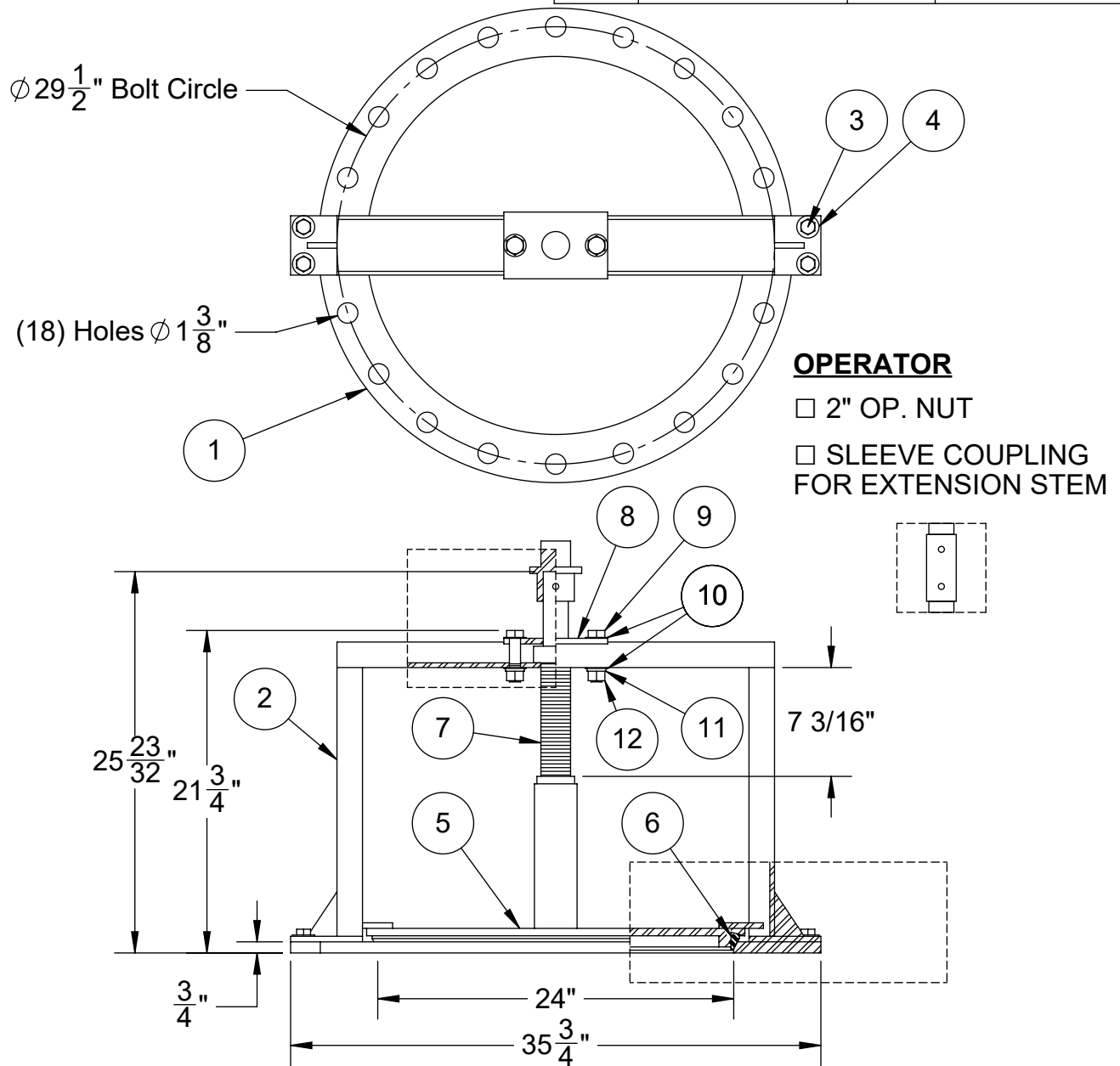


**Notes:**

- Bubble tight resilient-to-stainless steel seating
- Open Left
- Valve flanges must be level for proper operation
- 125# ANSI flange
  - Only number of holes specified are used
- 28 turns to open
- NSF/ANSI/CAN 61 & 372 Certified

Item	Description	QTY.	MAT'L
1	Frame	1	316 SS
2	Yoke	1	316 SS
3	HHCS	4	316 SS
4	Flat Washer	4	316 SS
5	Plug	1	316 SS
6	Resilient Seat	1	BUNA-N
7	Stem	1	316 SS
8	Stem Cap	1	316 SS
9	HHCS	2	316 SS
10	Flat Washer	4	316 SS
11	Lock Washer	2	316 SS
12	Hex Nut	2	316 SS



www.TroyValve.com

PHONE: 1-570-297-2125

1A3- DO NOT SCALE DRAWING

TITLE:

**24" NRS Fabricated Mud Valve**

MAT'L:

316 SS

DATE:

8/13/2020

PART NO:

A24MVSSA-NRS 316SS

DWN.

TE

PAGE: