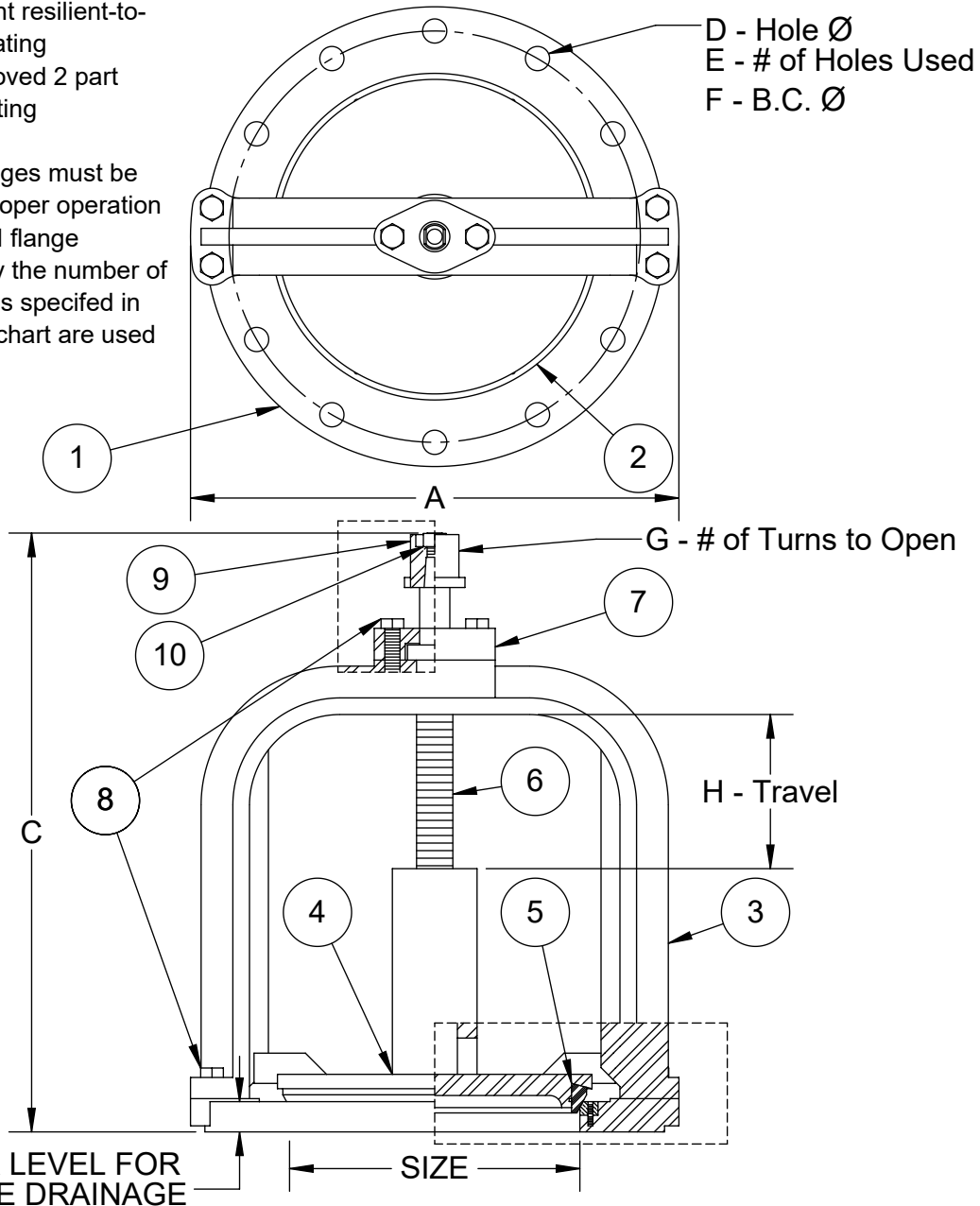


DIMENSIONS ARE IN INCHES				
SIZE	10	12	14	16
A	17 5/8	20 3/16	22 7/8	25 5/16
B	1 3/16	1 1/4	1 3/8	1 7/16
C	22 7/8	24 3/4	27 1/2	29 13/16
D	1	1	1 1/8	1 1/8
E	8	10	10	14
F	14 1/4	17	18 3/4	21 1/4
G	14	19	22	24
H	4 3/4	6 3/8	7 3/8	8 1/8

Item	Description	QTY.	MAT'L
1	Frame	1	CI
2	Seat Ring	1	BRZ
3	Yoke	1	CI
4	Plug	1	CI
5	Resilient Seat	1	BUNA-N
6	Stem	1	BRZ
7	Stem Cap	1	CI
8	HHCS	6	SS
9	2" Wrench Nut	1	CI
10	Jam Nut	1	SS

**Notes:**

- Bubble tight resilient-to-bronze seating
- NSF Approved 2 part epoxy coating
- Open Left
- Valve Flanges must be level for proper operation
- 125# ANSI flange
  - Only the number of holes specified in the chart are used



www.TroyValve.com

PHONE: 1-570-297-2125

1AS- DO NOT SCALE DRAWING

TITLE:

**CI Mud Valve - NRS 10-16"**

MAT'L:

CI

DATE:

8/14/2020

PART NO:

A25600RB

DWN.

TE

PAGE: