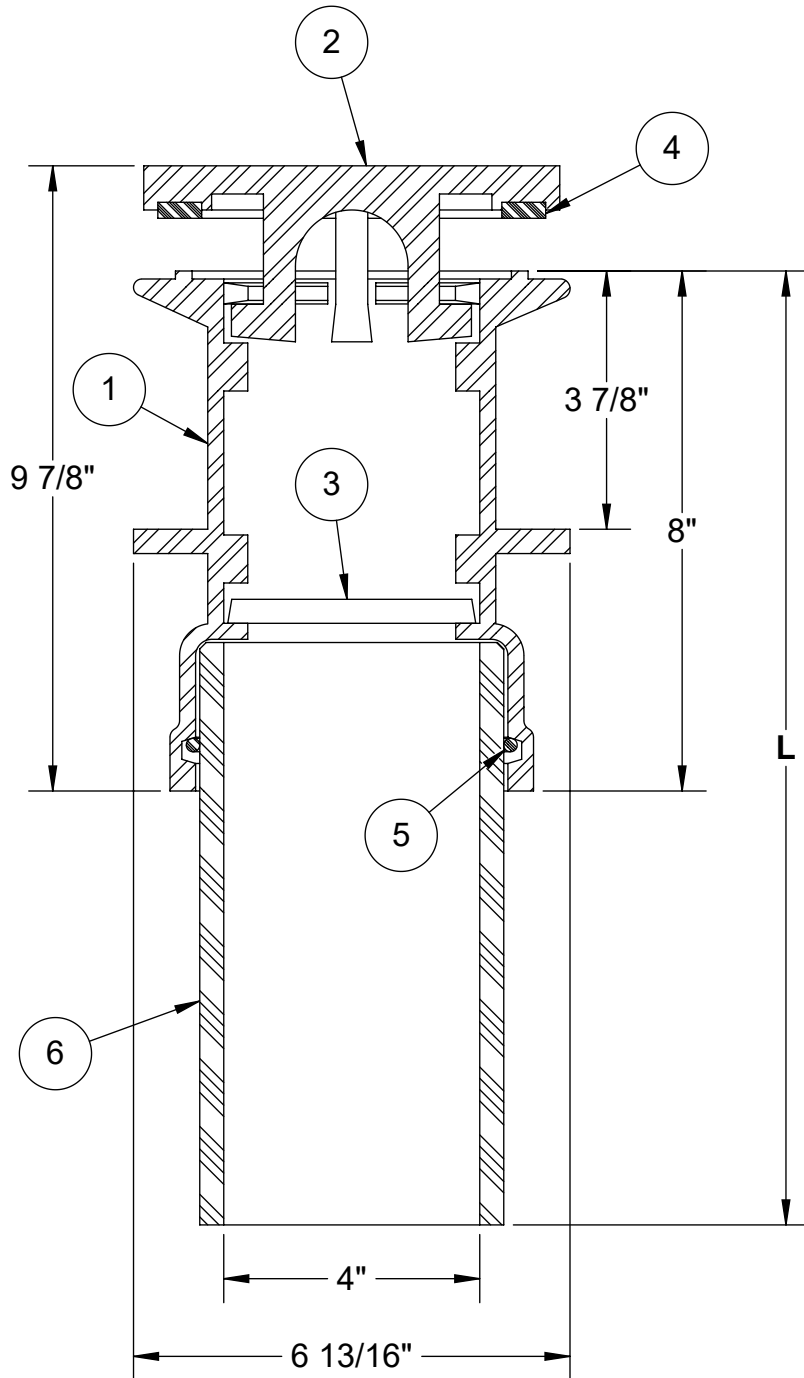


ITEM	DESCRIPTION	QTY.	MAT'L
1	Body	1	SS
2	Cover	1	SS
3	Grate	1	SS
4	Cover Ring	1	BUNA-N
5	O-Ring	1	BUNA-N
6*	Extension	1	PVC C900

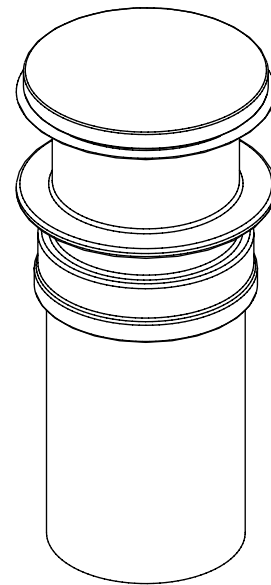


Notes:

- Stainless Steel to Resilient Seat
- * Valves extended as needed with C900 PVC to any required length
- Begins to open at ~ 9" of unseating head differential
- Cover lifts 1" in position
- Cover with rubber is 3/4" thick

L = _____

L is the OAL from seat.



DOMESTIC



www.TroyValve.com

PHONE: 1-570-297-2125

23C- DO NOT SCALE DRAWING

TITLE:

4" Floor Relief Valve

MAT'L: 316SS

DATE: 3/10/2021

PART NO:

USA2550RSN/4_SS

DWN.

TE

PAGE: