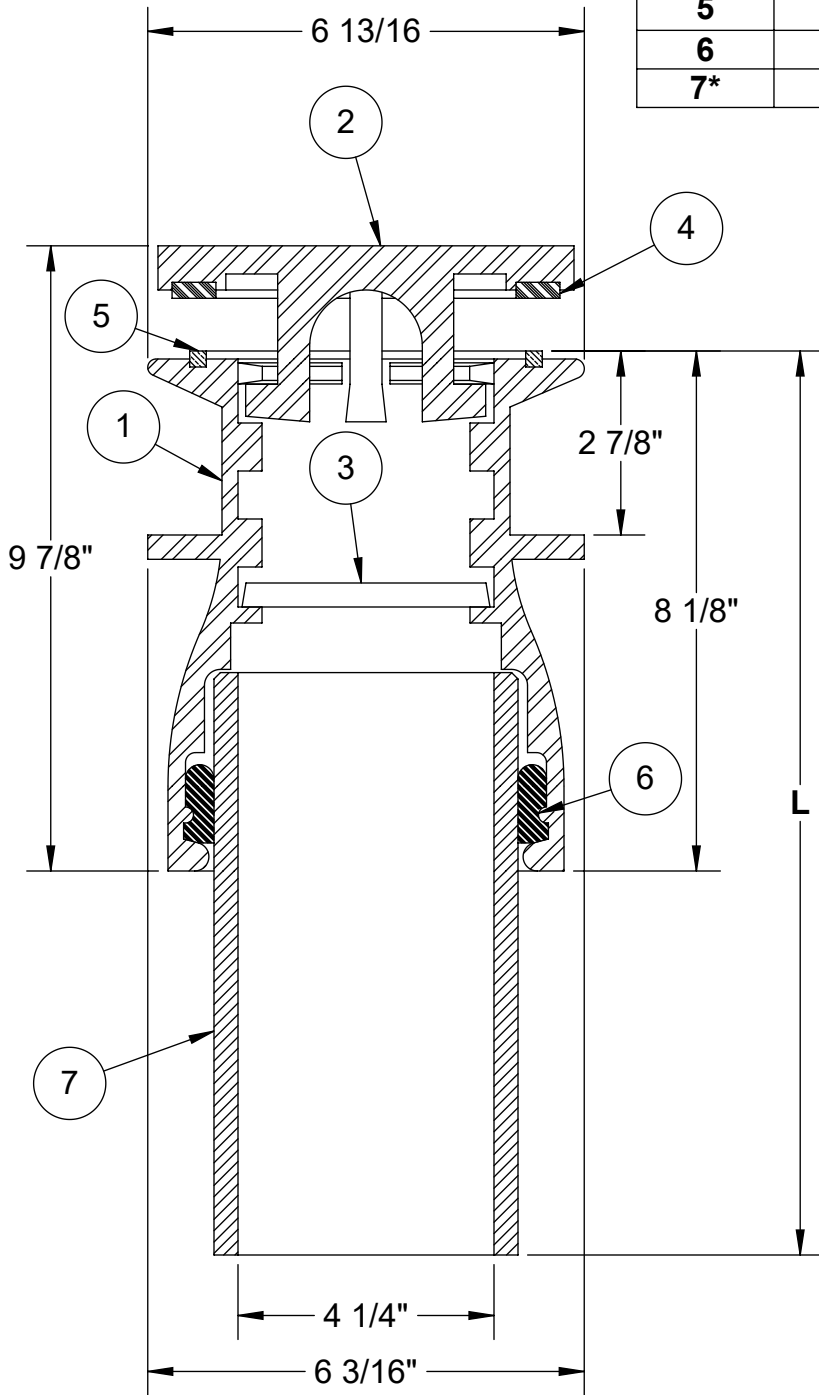


ITEM	DESCRIPTION	QTY.	MAT'L
1	Body	1	DI
2	Cover	1	DI
3	Grate	1	AL-BRZ
4	Cover Ring	1	BUNA-N
5	Seat Ring	1	AL-BRZ
6	Gasket	1	SBR
7*	Extension	1	PVC C900



Notes:

- Aluminum Bronze to Resilient Seat
- * Valves extended as needed with C900 PVC to any required length
- Begins to open at ~ 9" of unseating head differential
- Cover lifts 7/8" in position
- Cover with rubber is 13/16" thick
- NSF approved 2 part epoxy coating

L = _____

L is the OAL from aluminum bronze seat.

