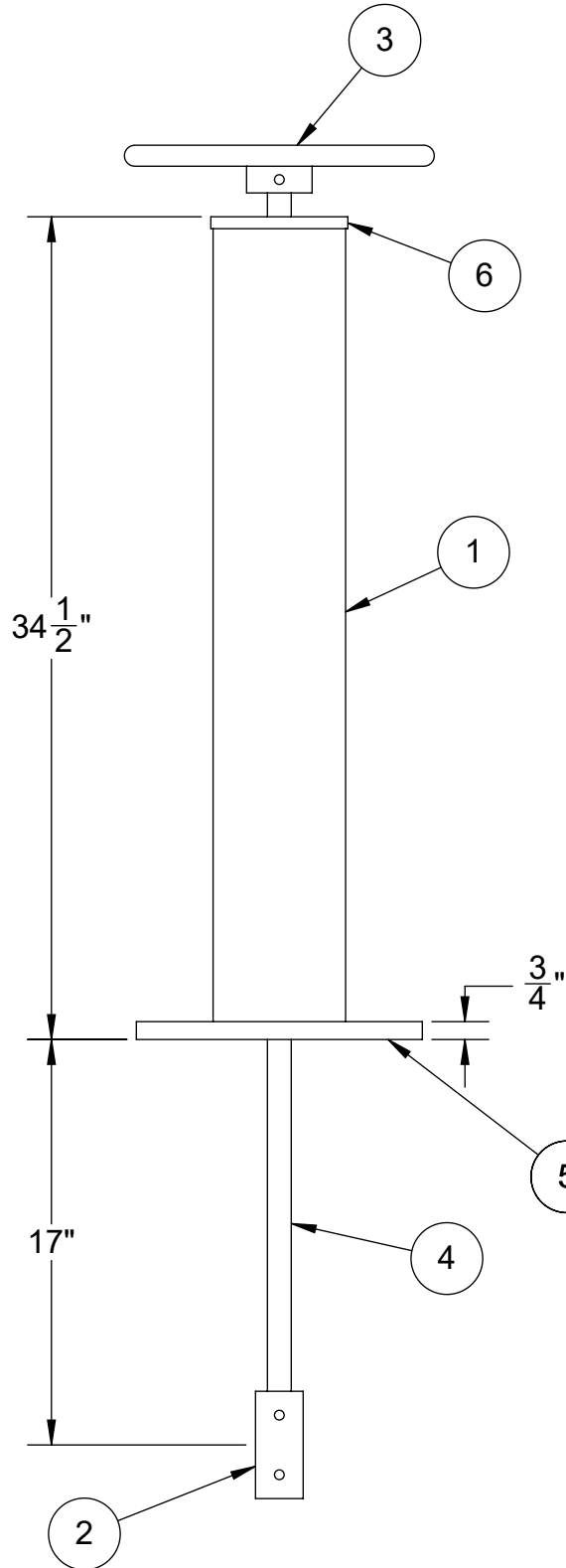


ITEM	DESCRIPTION	QTY.	MAT'L
1	Floorstand Body	1	SS
2	Sleeve Coupling	1	SS
3	Handwheel	1	SS/CI
4	Stem	1	SS
5	Bottom Plate	1	SS
6	Top Plate	1	SS



**MATERIAL**

304SS

316SS

**HANDWHEEL**

13" STAINLESS STEEL

13" CAST IRON

OTHER \_\_\_\_\_

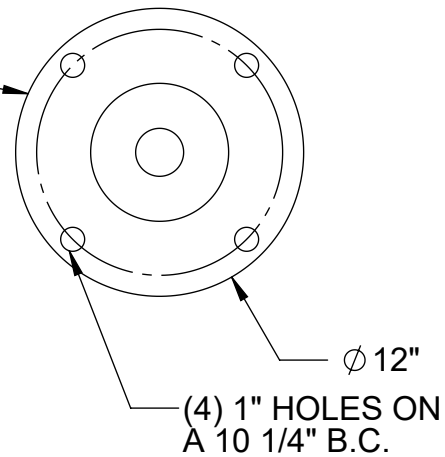
**VALVE STEM TRAVEL**

\_\_\_\_\_

**SLEEVE COUPLING BORE**

EXT STEM DIA \_\_\_\_\_

ROD  PIPE



www.TroyValve.com

PHONE: 1-570-297-2125

133- DO NOT SCALE DRAWING

TITLE:

**SS Non-Indicating Floorstand**

MAT'L: Varies

DATE: 5/15/2020

PART NO:

A25650\_SS

DWN.

TE

PAGE: