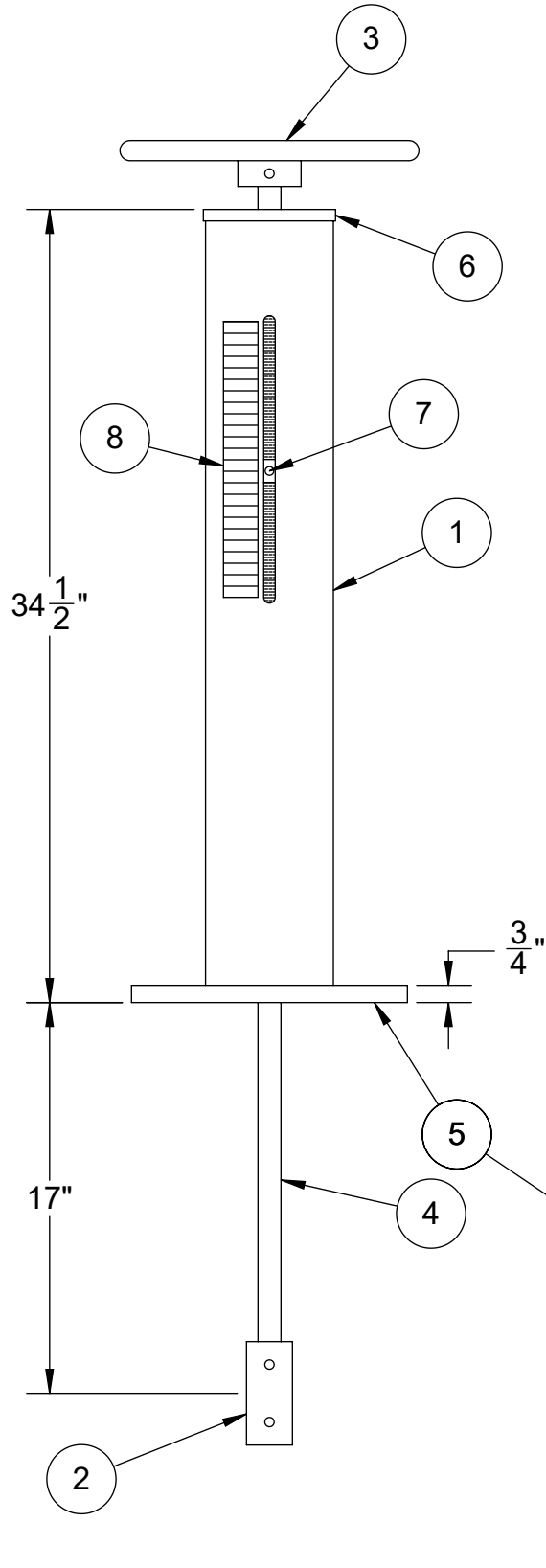


ITEM	DESCRIPTION	QTY.	MAT'L
1	Floorstand Body	1	SS
2	Sleeve Coupling	1	SS
3	Handwheel	1	SS/CI
4	Stem	1	SS
5	Bottom Plate	1	SS
6	Top Plate	1	SS
7	Pointer	1	SS
8	Scale	1	ALUM



MATERIAL

304SS 316SS

HANDWHEEL

13" SS 13" CAST IRON

OTHER _____

TURNT COUNT FOR STEM

83 (7 TPI)

144 (12 TPI)

288 (24 TPI)

Note: 600 turn available
See drawing A25655_600T_SS

SLEEVE COUPLING BORE

EXT STEM DIA _____

ROD PIPE