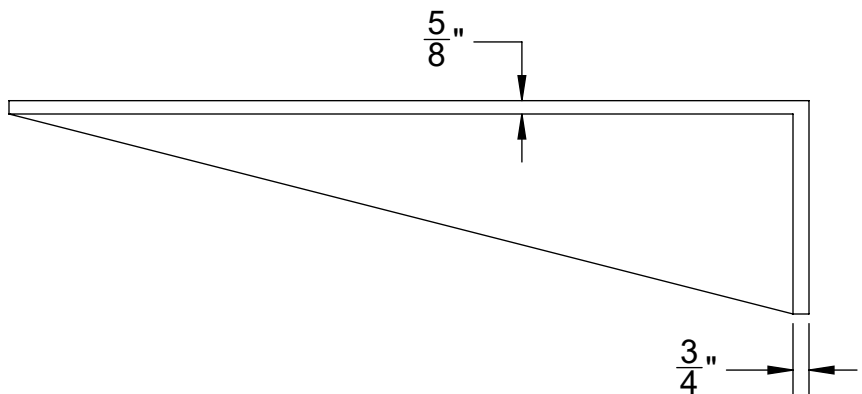
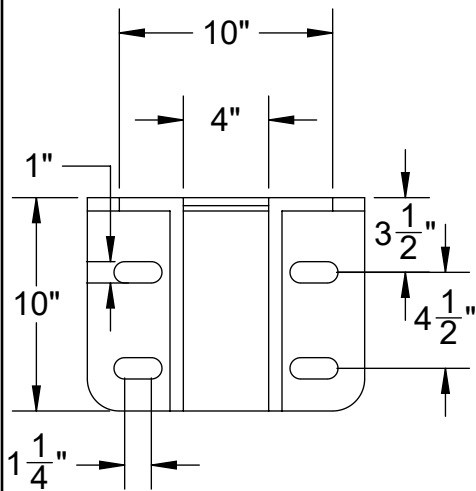
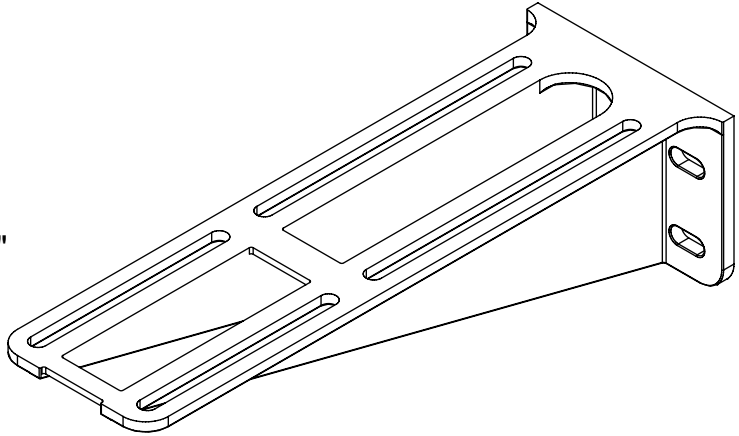
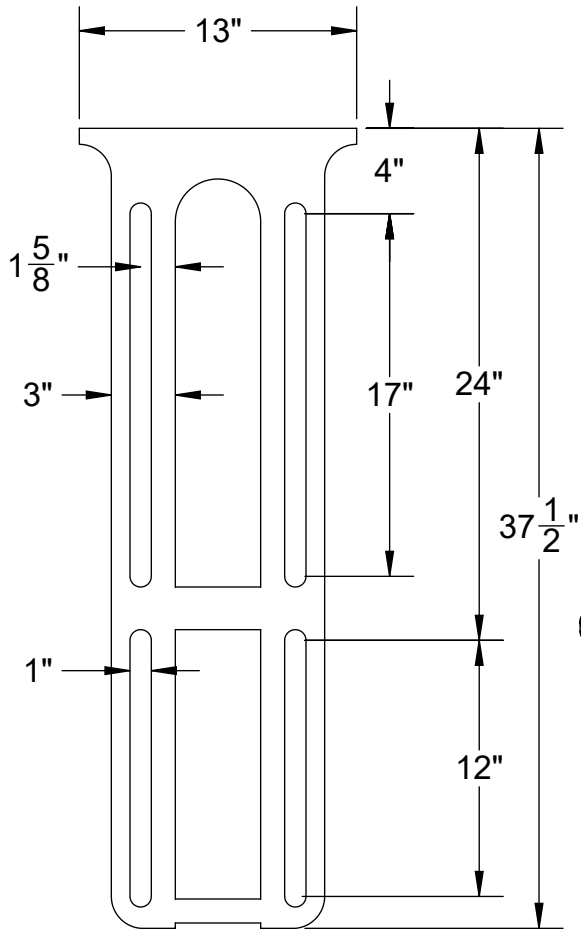


Notes:

- NSF Approved Two Part Epoxy Coating
- 7 5/8" - 32 3/8" Adjustment from Face of Wall to Centerline of Stem



www.TroyValve.com

PHONE: 1-570-297-2125

194- DO NOT SCALE DRAWING

TITLE:

Floorstand Wall Mounting Bracket

MAT'L: DI

DATE: 8/6/2020

PART NO:

M25675L_DI

DWN.

TE

PAGE: