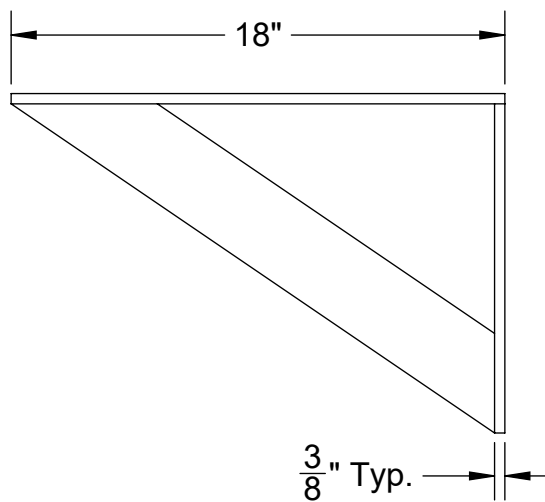
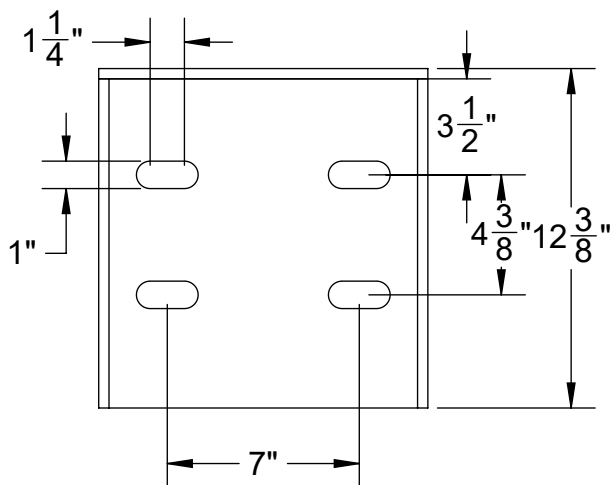


Notes:

- 5" - 13 1/2" adjustment from face of wall to c/l of stem
- To achieve the 5" minimum distance the stem must be less than 1 1/2" OD



304SS

316SS



www.TroyValve.com

PHONE: 1-570-297-2125

211- DO NOT SCALE DRAWING

TITLE:

Flush Floorstand Wall Mounting Bracket - Short

MAT'L: See Above

DATE: 3/2/2021

PART NO:

A25675SFLUSH

DWN.

TE

PAGE: