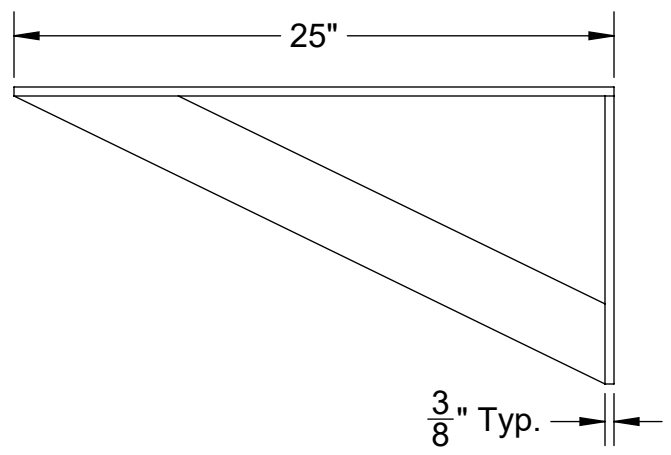
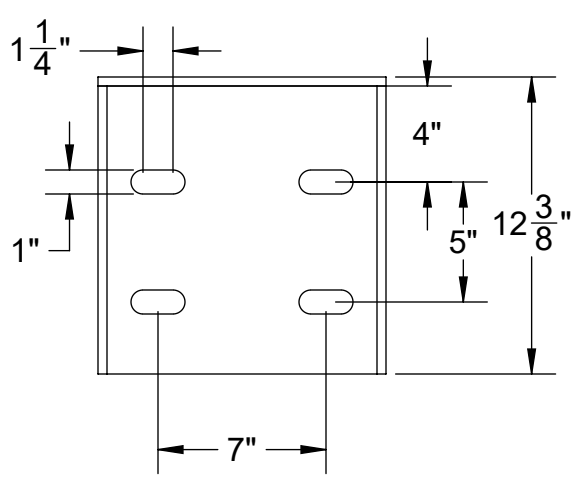


Notes:

- 5" - 20 1/2" adjustment from face of wall to c/l of stem
- To achieve the 5" minimum distance the stem must be less than 1 1/4" OD



304SS

316SS



www.TroyValve.com
 PHONE: 1-570-297-2125
 218- DO NOT SCALE DRAWING

TITLE: **Flush Floorstand Wall Mounting Bracket - Long**
 MAT'L: See Above
 DATE: 3/2/2021
 PART NO: **A25675LFLUSH**

DWN. TE
 PAGE: