

ITEM	DESCRIPTION	QTY.	MAT'L
1	Floorstand Body	1	DI
2	Sleeve Coupling	1	STEEL/SS
3	Handwheel	1	CI
4	Stem	1	STEEL/SS
5	Pointer	1	SS
6	Scale	1	ALUM
7	Clear Cover	1	PETG
8	Flange Gasket	1	SBR
9	O-Ring	1	BUNA-N
10	Bushing	1	Brass

INTERNAL STEM

- STEEL
- 304SS 316SS

HANDWHEEL

- 13" CAST IRON
- 18" CAST IRON
- OTHER _____

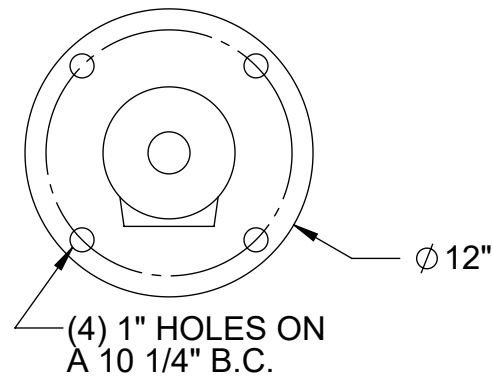
TURN COUNT FOR STEM

- 83 (7TPI)
- 144 (12TPI)
- 288 (24TPI) - SS Internal Stem Only

SLEEVE COUPLING BORE

EXT STEM DIA _____

- ROD PIPE



www.TroyValve.com

PHONE: 1-570-297-2125

1B1- DO NOT SCALE DRAWING

TITLE:

DI Sealed Indicating Floorstand

MAT'L: Varies

PART NO:

DATE: 8/27/2020

A25655_SEALED

DWN.

TE

PAGE: