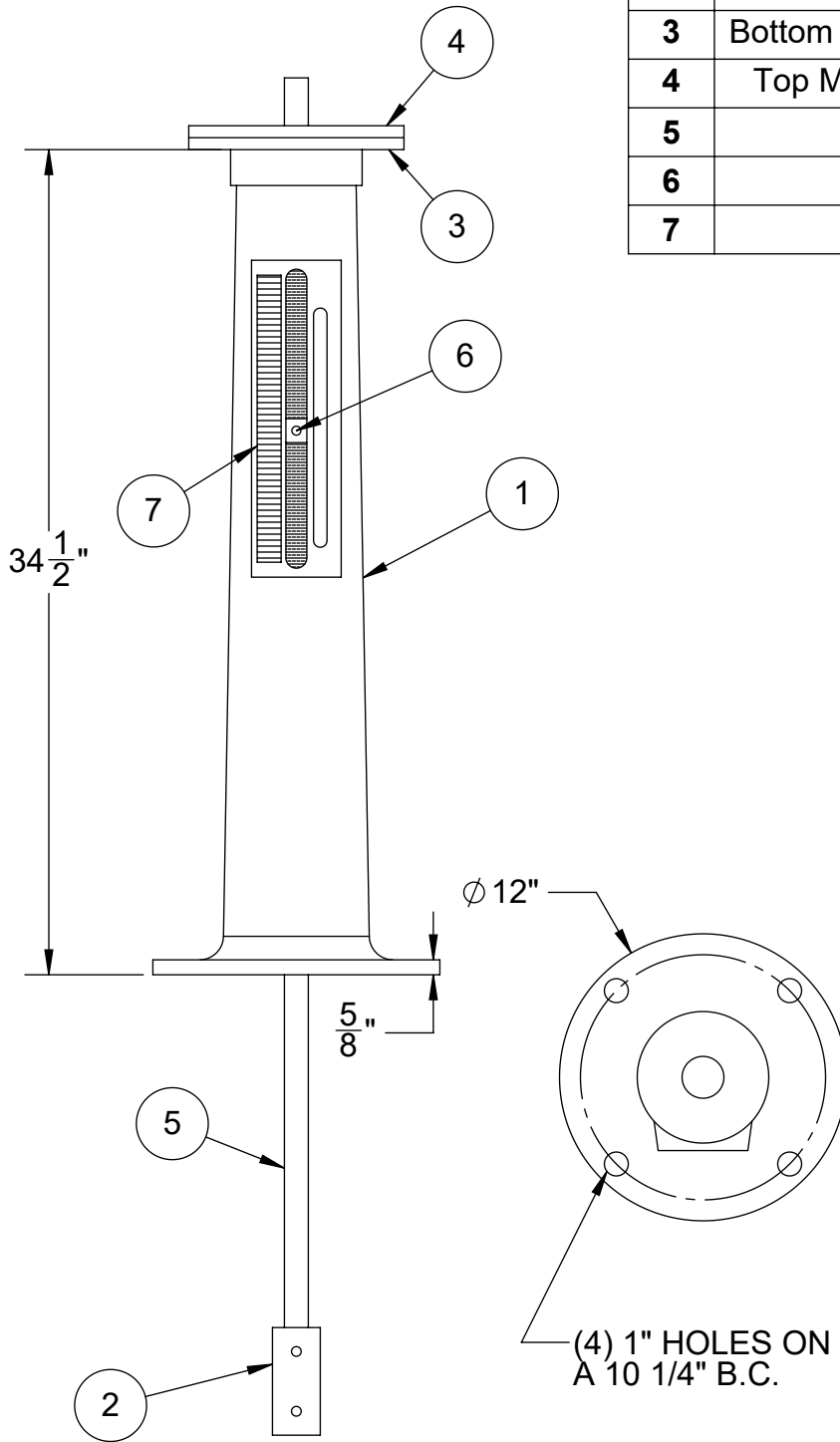


ITEM	DESCRIPTION	QTY.	MAT'L
1	Floorstand Body	1	DI/SS
2	Sleeve Coupling	1	STEEL/SS
3	Bottom Mounting Plate	1	STEEL/SS
4	Top Mounting Plate	1	STEEL/SS
5	Stem	1	STEEL/SS
6	Pointer	1	STEEL/SS
7	Scale	1	ALUM



**FLOORSTAND BODY**

- DI W/STEEL PLATES
- 304SS W/304SS PLATES
- 316SS W/316SS PLATES

**STEM**

- STEEL
- 304SS
- 316SS

**STEM DIAMETER**

- 1 1/4"
- 1 1/2"
- OTHER \_\_\_\_\_

**STEM PREP**

- KEYWAY SIZE \_\_\_\_\_
- DRILLED & PINNED

**PENN-TROY TO MACHINE DRIVE NUT**

- YES
- NO

**EXT. STEM DIAMETER**

**STROKE OF VALVE**

Note: If floor stand indication is required, stroke of valve is required.

**\*ACTUATOR FOOTPRINT REQUIRED\***



www.TroyValve.com

PHONE: 1-570-297-2125

139- DO NOT SCALE DRAWING

TITLE:

**Indicating NRS Flst. for Actuator**

MAT'L: Varies

DATE: 5/15/2020

PART NO:

A25655\_ACT

DWN.

TE

PAGE: