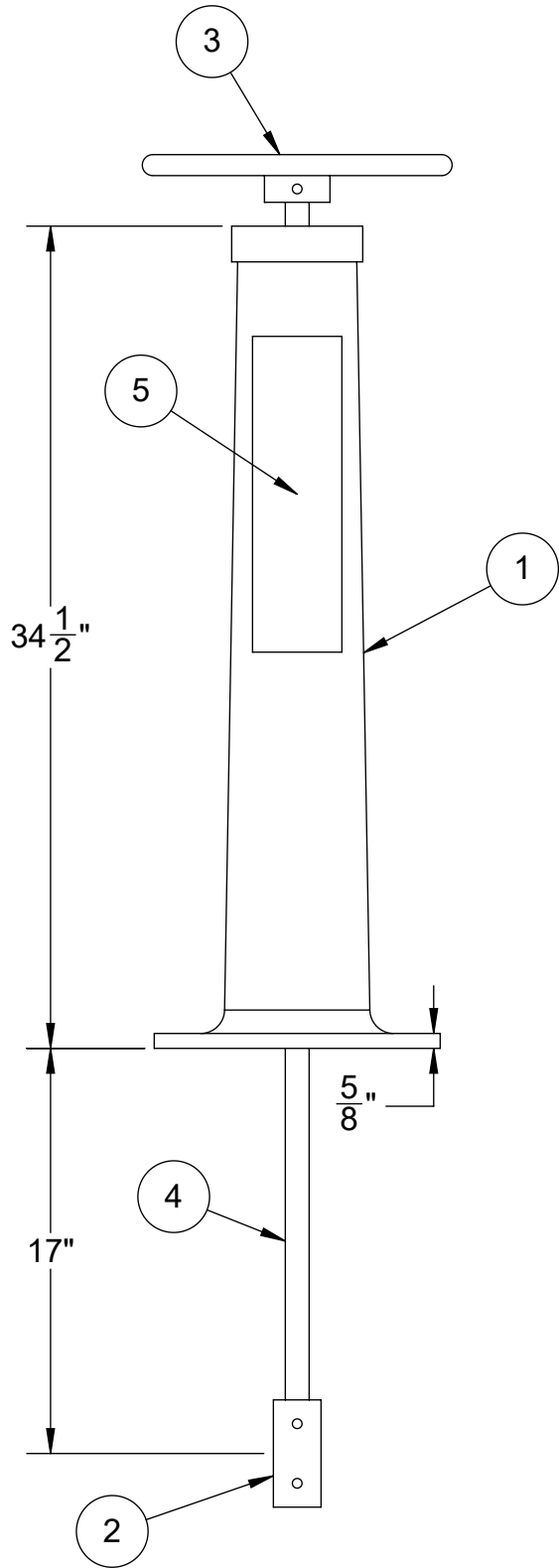


ITEM	DESCRIPTION	QTY.	MAT'L
1	Floorstand Body	1	DI
2	Sleeve Coupling	1	STEEL/SS
3	Handwheel	1	CI
4	Stem	1	STEEL/SS
5	Cover	1	ALUM



INTERNAL STEM

- STEEL
- 304SS 316SS

HANDWHEEL

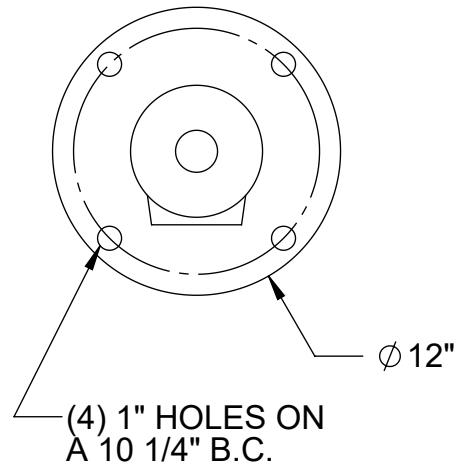
- 13" CAST IRON
- 18" CAST IRON
- OTHER _____

VALVE STEM TRAVEL

SLEEVE COUPLING BORE

EXT STEM DIA _____

- ROD PIPE



www.TroyValve.com

PHONE: 1-570-297-2125

134- DO NOT SCALE DRAWING

TITLE:

Ductile Iron Non-Indicating Floorstand

MAT'L: Varies

DATE: 5/15/2020

PART NO:

A25650

DWN.

TE

PAGE: