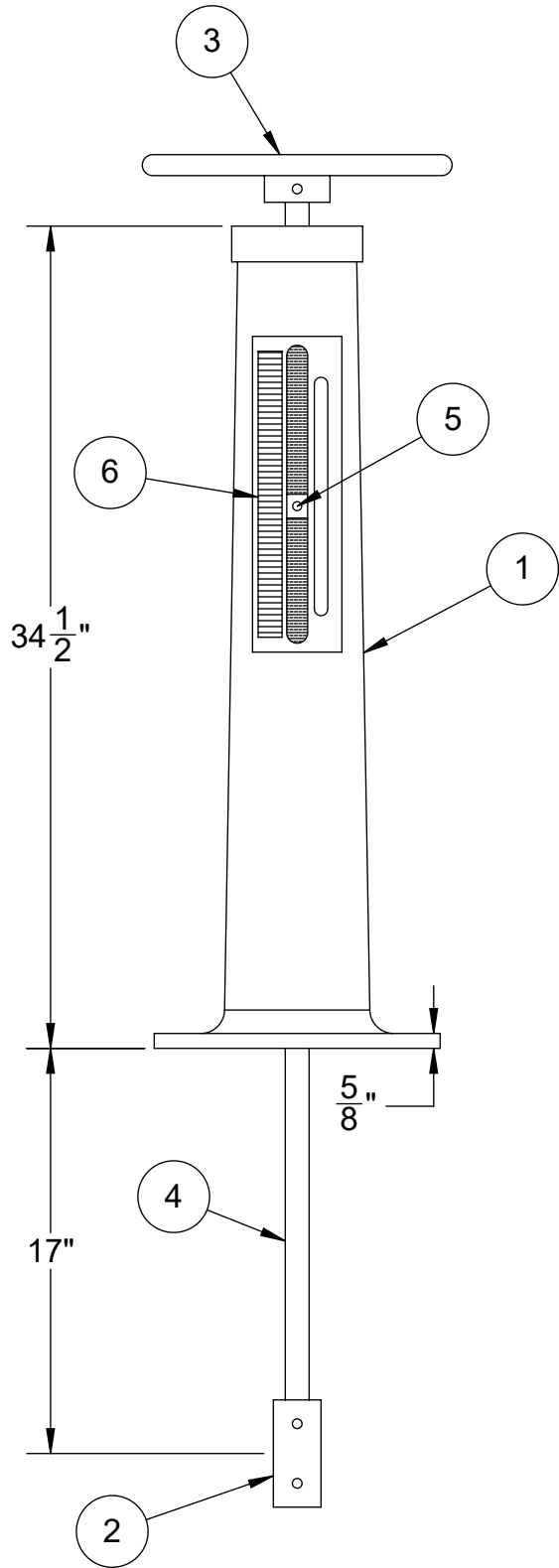


ITEM	DESCRIPTION	QTY.	MAT'L
1	Floorstand Body	1	DI
2	Sleeve Coupling	1	STEEL/SS
3	Handwheel	1	CI
4	Stem	1	STEEL/SS
5	Pointer	1	STEEL
6	Scale	1	ALUM



**INTERNAL STEM**

- STEEL
- 304SS     316SS

**HANDWHEEL**

- 13" CAST IRON
- 18" CAST IRON
- OTHER \_\_\_\_\_

**TURN COUNT FOR STEM**

- 83 (7TPI)
- 144 (12TPI)
- 288 (24TPI) - SS Internal Stem Only

**SLEEVE COUPLING BORE**

- EXT STEM DIA \_\_\_\_\_
- ROD     PIPE

