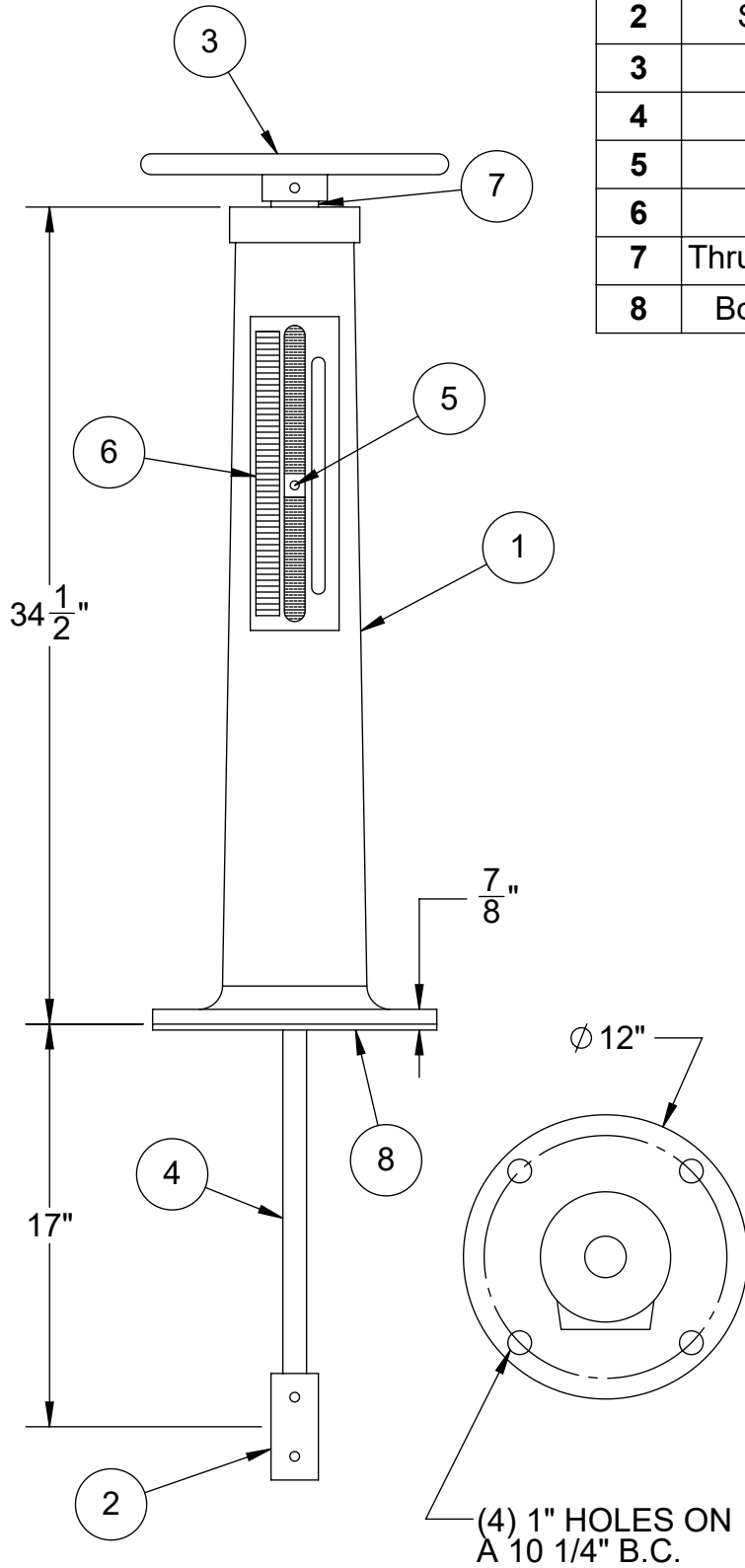


ITEM	DESCRIPTION	QTY.	MAT'L
1	Floorstand Body	1	DI
2	Sleeve Coupling	1	STEEL/SS
3	Handwheel	1	CI
4	Stem	1	STEEL/SS
5	Pointer	1	SS
6	Scale	1	ALUM
7	Thrust Bearing Support	1	BRONZE
8	Bottom Guide Plate	1	STEEL/SS



INTERNAL STEM

- STEEL
- 304SS 316SS

HANDWHEEL

- 13" CAST IRON
- 18" CAST IRON
- OTHER _____

TURN COUNT FOR STEM

- 83 (7TPI)
- 144 (12TPI)
- 288 (24TPI) - SS Internal Stem Only

BOTTOM GUIDE PLATE

- STEEL W/BRZ BUSHING
- 304SS (NO BUSHING)
- 316SS (NO BUSHING)

SLEEVE COUPLING BORE

- EXT STEM DIA _____
- ROD PIPE



www.TroyValve.com

PHONE: 1-570-297-2125

180- DO NOT SCALE DRAWING

TITLE:

Ductile Iron Indicating Floorstand w/Support

MAT'L: Varies

DATE: 8/27/2020

PART NO:

A25655_SUPPORT

DWN.

TE

PAGE: