



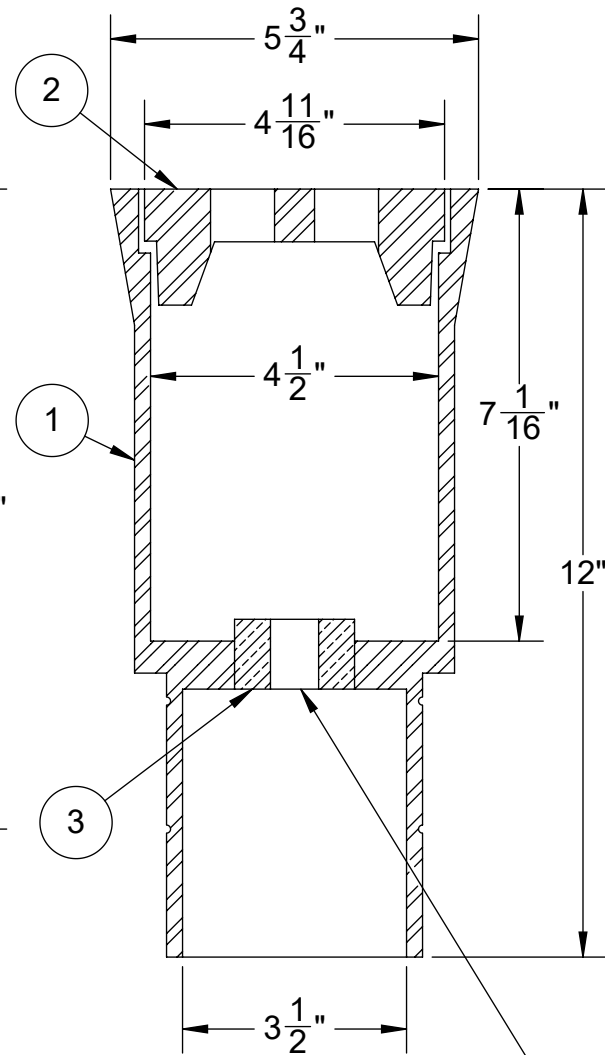
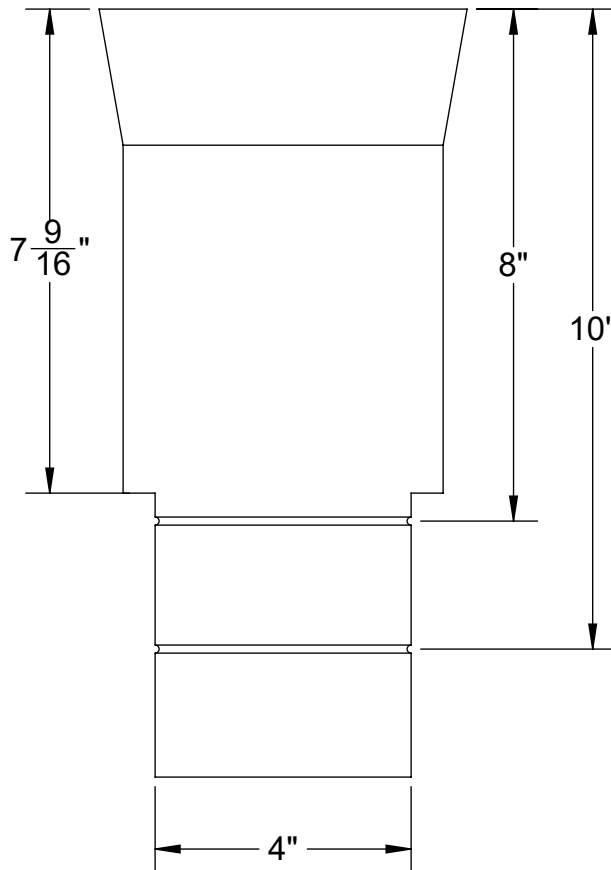
Item	Description	QTY.	MAT'L
1	Body	1	CI-A126B
2	Cover	1	CI-A126B
3	Bushing	1	BRASS-CDA360

Length

- 8"
- 10"
- 12"

Notes:

- 2 Part Epoxy Coating
- May be extended in field using 4" unlined CL53 ductile iron pipe and setscrew



Bore to Customer Specification



www.TroyValve.com

PHONE: 1-570-297-2125

11E- DO NOT SCALE DRAWING

TITLE:

Floor Box Assembly

MAT'L:

CI

DATE:

4/30/2020

PART NO:

A25700B

DWN.

TE

PAGE: