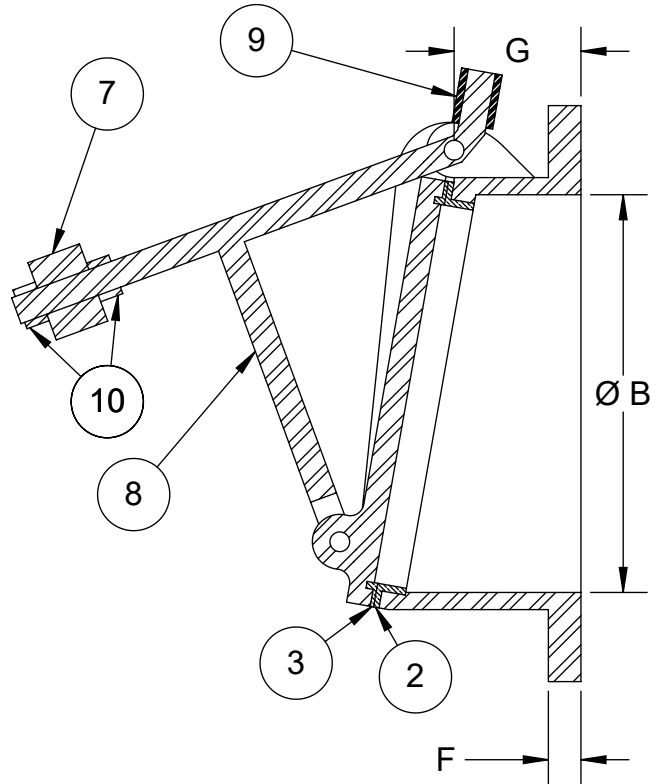
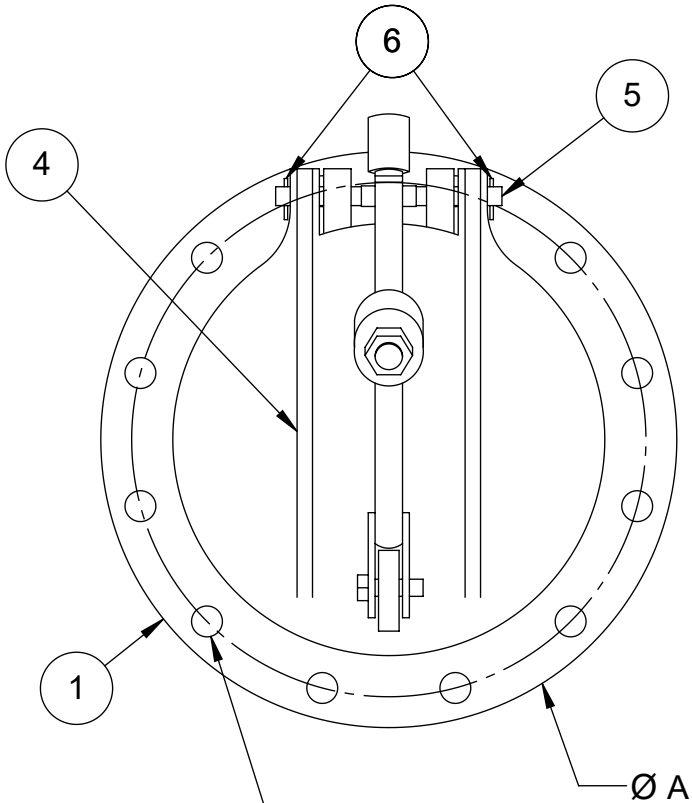


DIMENSIONS ARE IN INCHES

SIZE	14	16	18	20	24
A	21	23 1/2	25	27 1/2	32
B	14	16	18	20	24
C	12	16	16	20	20
D	1 1/8	1 1/8	1 1/4	1 1/4	1 3/8
E	18 3/4	21 1/4	22 3/4	25	29 1/2
F	1 3/16	1 1/4	1 1/8	1 1/8	1 3/8
G	4 5/8	4 1/2	7 1/2	6	6 9/16

Item	Description	QTY.	MAT'L
1	Body	1	CI
2	Seat Ring	1	BRZ
3	Disc Ring	1	BRZ
4	Disc	1	CI
5	Hinge Pin	1	SS
6	Cotter Pin	2	SS
7	Weight	1	SS
8	Support Rod	1	SS
9	Stop (See Notes)	1	Rubber
10	Hex Nut	2	SS



C = # of holes
 D = Ø of holes
 E = Ø of bolt circle

Notes:

- 125# ANSI flange
- NSF Approved Two Part Epoxy Coating
- 10° Offset from verticle
- Weight will vary based on size and application of valve
- Rod angle and length will vary based on size and application of valve
- Rubber Stop is:
 - Standard on verticle flange mount.
 - Optional on horizontal flange mount, but may not be available on all applications



www.TroyValve.com

PHONE: 1-570-297-2125

184- DO NOT SCALE DRAWING

TITLE:

14"-24" Weighted Vert. Flap Valve

MAT'L:

CI

DATE:

9/3/2020

PART NO:

A25406_CW

DWN.

TE

PAGE: