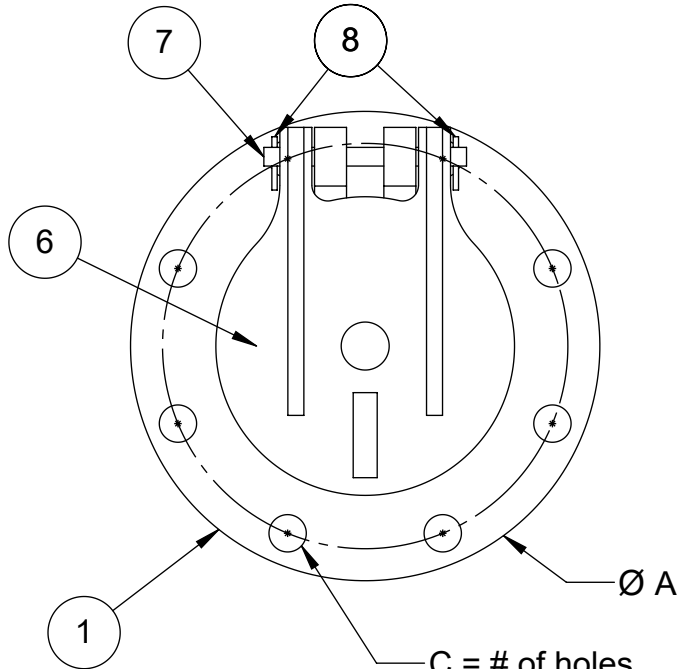


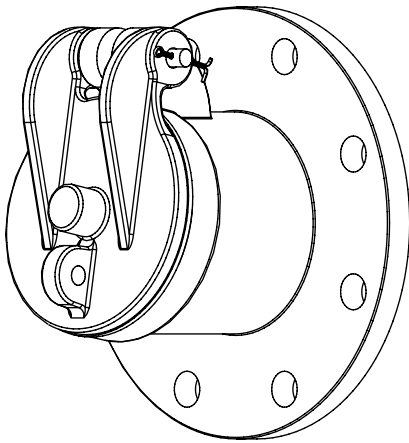
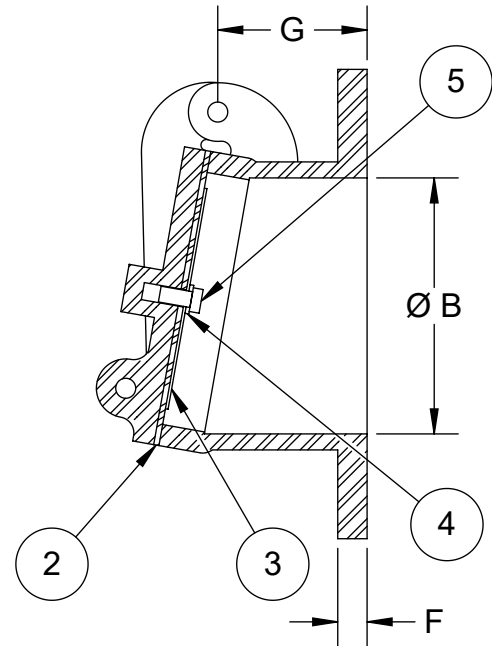
**DIMENSIONS ARE IN INCHES**

| SIZE     | 3      | 4      | 6     |
|----------|--------|--------|-------|
| <b>A</b> | 9      | 9      | 11    |
| <b>B</b> | 4      | 4      | 6     |
| <b>C</b> | 4      | 8      | 8     |
| <b>D</b> | 3/4    | 3/4    | 7/8   |
| <b>E</b> | 6      | 7 1/2  | 9 1/2 |
| <b>F</b> | 13/32  | 13/32  | 7/16  |
| <b>G</b> | 3 3/16 | 3 3/16 | 3     |

| Item | Description    | QTY. | MAT'L  |
|------|----------------|------|--------|
| 1    | Body           | 1    | SS     |
| 2    | Resilient Seat | 1    | BUNA-N |
| 3    | Disc Washer    | 1    | SS     |
| 4    | Lock Washer    | 1    | SS     |
| 5    | 3/8-16 Bolt    | 1    | SS     |
| 6    | Disc           | 1    | SS     |
| 7    | Hinge Pin      | 1    | SS     |
| 8    | Cotter Pin     | 2    | SS     |



C = # of holes  
 D = Ø of holes  
 E = Ø of bolt circle



**Notes:**

- 125# ANSI flange
- 3" Flap Valve is prepared for both 3" and 4" 125# ANSI flange mounting pattern
- 10° Offset from verticle

**MATERIAL**

3" □ 304SS □ 316SS

4" □ 304SS □ 316SS

6" □ 316SS



www.TroyValve.com

PHONE: 1-570-297-2125

152- DO NOT SCALE DRAWING

TITLE:

**SS Resilient Seat Wall Relief Valve**

MAT'L:

SS

PART NO:

A2580\_CSS

DATE:

5/28/2020

DWN.

TE

PAGE: